



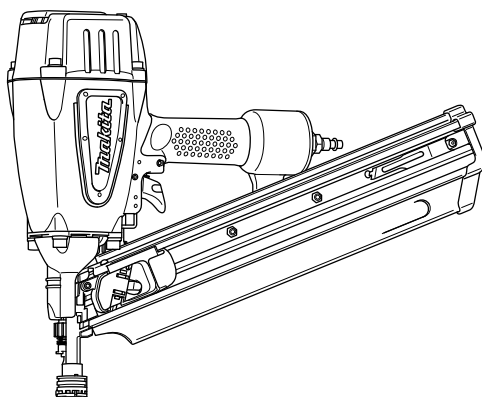
GB Pneumatic Framing Nailer

Instruction Manual

F Cloueuse pneumatique

Manuel d'instructions

AN944



ENGLISH

TECHNICAL DATA

Model number	AN944
Type of tool	28 Degree Framing Nailer
Dimension	17-1/2" x 4-31/32" x 13-11/32" (445 mm x 126 mm x 339 mm)
Weight of tool	6.97 lbs (3.16 Kg)
Compressed air	
Maximum permissible operating pressure	120 PSIG
Recommended operating pressure	70 – 120 PSIG (4.9 – 8.3 bar)
Air consumption per driving operation.....	2.159 litres/cycle (0.076 scf/cycle) at 101 PSIG (7 bar) operating pressure
Noise characteristic values in accordance with	
Maximum A-weighted impulse sound power level.....	104.8 dBA
Maximum A-weighted surface impulse sound pressure level	94.8 dBA
Recommended lubrications	
Fastener specifications	0.113" – 0.131" (2.8 – 3.3 mm) length 2" – 3-1/2" (50 – 90 mm)
Accessories.....	Wrench 3, 4, 5, 6
Applications & suitability.....	Framing, Decking, Trusses, Siding, Subfloor, Fencing, Sheathing, Pallets and Crate Assembly
Actuating system (▽safety yoke installed).....	Contact/Single sequential actuation
Trigger device	Finger pressure activation
Filling the magazine	
1. Slide up to 3 strips of nail into the magazine until they pass through the nail stop lever.	
2. Pull back the pusher until it is behind the loaded nail.	
3. Release the pusher to engage the nail strips, remembering to keep finger clear.	

IMPORTANT SAFETY INSTRUCTIONS

WARNING: WHEN USING THIS TOOL, BASIC SAFETY PRECAUTIONS SHOULD ALWAYS BE FOLLOWED TO REDUCE THE RISK OF PERSONAL INJURY, INCLUDING THE FOLLOWING:

READ ALL INSTRUCTIONS.

1. For personal safety and proper operation and maintenance of the tool, read this instruction manual carefully before using the tool.
2. Always wear safety glasses to protect your eyes from dust or nail injury. The safety glasses should conform with the requirements of ANSI Z87.1.

WARNING:

It is an employer's responsibility to enforce the use of safety eye protection equipment by the tool operators and by other persons in the immediate working area.

3. Wear hearing protection to protect your ears against exhaust noise and head protection. Also wear light but not loose clothing. Sleeves should be buttoned or rolled up. No necktie should be worn.
4. Rushing the job or forcing the tool is dangerous. Handle the tool carefully. Do not operate when under the influence of alcohol, drugs or the like.
5. General Tool Handling Guidelines:
 - (1) Always assume that the tool contains fasteners.
 - (2) Do not point the tool toward yourself or anyone whether it contains fasteners or not.
 - (3) Do not actuate the tool unless the tool is placed firmly against the workpiece.
 - (4) Respect the tool as a working implement.
 - (5) No horseplay.

- (6) Do not hold or carry the tool with a finger on the trigger.
- (7) Do not load the tool with fasteners when any one of the operating controls is activated.
- (8) Do not operate the tool with any power source other than that specified in the tool operating/safety instructions.
6. An improperly functioning tool must not be used.
7. Sparks sometimes fly when the tool is used. Do not use the tool near volatile, flammable materials such as gasoline, thinner, paint, gas, adhesives, etc.; they will ignite and explode, causing serious injury.
8. The area should be sufficiently illuminated to assure safe operations. The area should be clear and litter-free. Be especially careful to maintain good footing and balance.
9. Only those involved in the work should be in the vicinity. Children especially must be kept away at all times.
10. There may be local regulations concerning noise which must be complied with by keeping noise levels within prescribed limits. In certain cases, shutters should be used to contain noise.
11. Do not play with the contact element: it prevents accidental discharge, so it must be kept on and not removed. Securing the trigger in the ON position is also very dangerous. Never attempt to fasten the trigger. Do not operate a tool if any portion of the tool operating controls is inoperable, disconnected, altered, or not working properly.

12. Operate the tool within the specified air pressure on the tool label for safety and longer tool life. Do not exceed the recommended max. operating pressure. The tool should not be connected to a source whose pressure potentially exceeds 200 PSIG (13.6 bar).
13. Never use the tool with other than compressed air. If bottled gas (carbon dioxide, oxygen, nitrogen, hydrogen, air, etc.) or combustible gas (hydrogen, propane, acetylene, etc.) is used as a power source for this tool, the tool will explode and cause serious injury.
14. Always check the tool for its overall condition and loose screws before operation. Tighten as required.
15. Make sure all safety systems are in working order before operation. The tool must not operate if only the trigger is pulled or if only the contact element is pressed against the wood. It must work only when both actions are performed. Test for possible faulty operation with nails unloaded and the contact element in fully pulled position.
16. Check walls, ceilings, floors, roofing and the like carefully to avoid possible electrical shock, gas leakage, explosions, etc. caused by striking live wires, conduits or gas pipes.
17. Use only nails specified in this manual. The use of any other nails may cause malfunction of the tool.
18. Do not permit those uninstructed to use the tool.
19. Make sure no one is nearby before nailing. Never attempt to nail from both the inside and outside at the same time. Nails may rip through and/or fly off, presenting a grave danger.
20. Watch your footing and maintain your balance with the tool. Make sure there is no one below when working in high locations, and secure the air hose to prevent danger if there is sudden jerking or catching.
21. On rooftops and other high locations, nail as you move forward. It is easy to lose your footing if you nail while inching backward. When nailing against perpendicular surface, nail from the top to the bottom. You can perform nailing operations with less fatigue by doing so.
22. A nail will be bent or the tool can become jammed if you mistakenly nail on top of another nail or strike a knot in the wood. The nail may be thrown and hit someone, or the tool itself can react dangerously. Place the nails with care.
23. Do not leave the loaded tool or the air compressor under pressure for a long time out in the sun. Be sure that dust, sand, chips and foreign matter will not enter the tool in the place where you leave it setting.
24. Do not point the ejection port at anyone in the vicinity. Keep hands and feet away from the ejection port area.
25. When the air hose is connected, do not carry the tool with your finger on the trigger or hand it bar) to someone in this condition. Accidental firing can be extremely dangerous.
26. Handle the tool carefully, as there is high pressure inside the tool that can be dangerous if a crack is caused by rough handling (dropping or striking). Do not attempt to carve or engrave on the tool.
27. Stop nailing operations immediately if you notice something wrong or out of the ordinary with the tool.
28. Always disconnect the air hose and remove all of the nails:
 - (9) When unattended.
 - (10) Before performing any maintenance or repair.
 - (11) Before cleaning a jam.
 - (12) Before moving the tool to a new location.
29. Perform cleaning and maintenance right after finishing the job. Keep the tool in tip-top condition. Lubricate moving parts to prevent rusting and minimize friction-related wear. Wipe off all dust from the parts.
30. Do not modify tool without authorization from Makita.
31. Do not attempt to keep the trigger or contact element depressed with tape or wire. Death or serious injury may occur.
32. Always check contact element as instructed in this manual. Nails may be driven accidentally if the safety mechanism is not working correctly.
33. Ask Makita's Authorized service centers for periodical inspection of the tool.
34. To maintain product SAFETY and RELIABILITY, maintenance and repairs should be performed by Makita Authorized or Factory Service Centers, always using Makita replacement parts.

SAVE THESE INSTRUCTIONS.

WARNING:

MISUSE or failure to follow the safety rules stated in this instruction manual may cause serious personal injury.

TRIGGERING DEVICES

This fastener driving tool is operated by actuating the trigger using finger pressure.

Some fastener driving tools are fitted with an additional safety yoke which enables the driving operation to be carried out only after the muzzle of the tool is pressed against a workpiece. These tools are marked with an inverted triangle (∇) and may not be used unless fitted with an effective safety yoke.

ACTUATING SYSTEMS

Depending on their purpose, fastener driving tools may be fitted with different actuating systems. See the respective technical data sheet for details of the actuating system of the tools.

Single sequential actuation (preferred version): An actuating system in which the safety yoke and the trigger have to be activated in such a way that one single driving operation is actuated via the trigger after the muzzle of the tool has been applied to the driving location. Thereafter any further driving operations can only be actuated after the trigger has been returned to the starting position.

Full sequential actuation: This is an actuating system in which the safety yoke and the trigger have to be activated in such a way that one single driving operation is actuated via the trigger after the muzzle of the tool has been applied to the driving location. Thereafter any further driving operations can only be actuated only after the trigger and the safety yoke have been returned to the starting position.

Contact actuation (restricted version): An actuating system in which the trigger and the safety yoke have to be actuated for each driving operation, with the order of actuation not being specified. For subsequent driving operations it is sufficient if either the trigger remains activated and the safety yoke is activated thereafter, or vice versa.

Fastener driving tools equipped with contact actuation must be marked with the symbol »Do not use on scaffoldings, ladders« and must not be used for specific applications for example:




- when moving from one driving location to another involves the use of scaffoldings, stairs, ladders, or ladder-like constructions, e.g. roof laths,
- closing boxes or crates,
- fitting transportation safety systems e.g. on vehicles and wagons.



Single sequential actuation with trigger lock: Some models have a safety system consisting of a small lever attached behind the trigger which blocks automatically every time the trigger is released, preventing unintentional triggering. If a fastener is to be driven, the safety lever must be pulled first, which enables the main trigger and makes it possible to press.

SYMBOLS

The followings show the symbols used for tool.

- Read and understand tool labels and manual.
- Operators and others in work area must wear safety glasses with side shields.
- Keep fingers away from trigger when not driving fasteners to avoid accidental firing.

Length of fasteners	Actuation system	Special requirements
> 130 mm	Full sequential actuation	The safety yoke has to return reliably to its initial position in any tool position
≤ 130 mm	Single sequential actuation with safety yoke	The safety yoke has to return reliably to its initial position in any tool position
≤ 100 mm > 65 mm	Contact actuation	≥ 125% of the tool weight* as safety yoke return force
≤ 65 mm	Contact actuation	≥ 60% of the tool weight* as safety yoke return force
	Constant actuation with safety yoke	≥ 60% of the tool weight* as safety yoke return force
* without fasteners		

2. COMPRESSED AIR SYSTEM

Proper functioning of the fastener driving tool requires filtered, dry and oiled compressed air in adequate quantities.

If the air pressure in the line system exceeds the maximum permissible operating pressure of the fastener driving tool, a pressure reducing valve followed by a downstream safety valve shall additionally be fitted in the supply line to the tool.

Note: When compressed air is generated by compressors, the natural moisture in the air condenses and collects as condensed water in pressure vessels and pipelines. This condensate must be removed by water separators. These water separators must be checked on a daily basis and drained if necessary, since corrosion can otherwise develop in the compressed air system and in the fastener driving tool, which serves to accelerate wear.

The compressor plant shall be adequately dimensioned in terms of pressure output and performance (volumetric flow) for the consumption which is to be expected. Line sections which are too small in relation to the length of the line (pipes and hoses), as well as overloading the compressor, will result in pressure drops.

Permanently laid compressed air pipelines should have an internal diameter of least 19 mm (0.75 inch) and a correspondingly larger diameter where relatively long pipelines or multiple users are involved. Compressed air pipelines should be laid so as to form a gradient (highest point in the direction to the compressor). Easily accessible water separators should be installed at the lowest points.

Junctions for users should be joined to the pipelines from above.

Connecting points for fastener driving tools should be fitted with a compressed air servicing unit (filter/ water separator/ lubricator) directly at the junction point. Lubricators must be checked on a daily basis and topped up with the recommended grade of oil (see technical data) if necessary. Adjust the lubricator of the maintenance unit to 1 drop for approx. every 15 blows of the fastener. Check the oil level in the reservoir regularly.

Where hose lengths of over 10 m (33 ft) are used, the oil supply for the fastener driving tool cannot be guaranteed. We therefore recommend an lubricator attached directly to the fastener driving tool. Adjust the dosing so that it has to be refilled approximately every 30 000 blows.

3. PREPARING THE TOOL FOR USE

3.1 PREPARING A TOOL FOR FIRST TIME OPERATION

Please read and observe these operating instructions before using the tool. Basic safety measures should always be strictly followed to protect against damage to the equipment and personal injury to the user or other people working in the vicinity of operation.

3.2 CONNECTION TO THE COMPRESSED AIR SYSTEM

Ensure that the pressure supplied by the compressed air system does not exceed the maximum permissible operating pressure of the fastener driving tool. Set the air pressure initially to the lower value of the recommended operating pressure (see technical data). Empty the magazine to prevent a fastener from being ejected at the next stage of work in the event that internal parts of the fastener driving tool are not in the starting position following maintenance and repair work or transportation.

Connect the fastener driving tool to the compressed air supply using suitable pressure hose equipped with quick-action connectors.

Refer to the technical data sheet for the size of plug-in nipple.

3.3 FILLING THE MAGAZINE

Only those fasteners specified under technical data (see 2) may be used.

When filling the magazine, hold the tool so that the muzzle is not pointing towards your own body or towards any other person. Do not load the tool with fasteners with the safety yoke or trigger depressed. Further design-related specifications such as the fastener insertion or removal as well as filling can be found in the technical data sheet.

3.4 HANDLING THE TOOL

Note section 1. Special references of these operating instructions.

Having checked that the fastener driving tool is functioning correctly, apply the tool to a workpiece and actuate the trigger.

You should endeavour in any event to work with the lowest possible air pressure. This will give you three significant advantages:

1. energy will be saved,
2. less noise will be produced,
3. a reduction in fastener driving tool wear will be achieved.

Avoid triggering the fastener driving tool if the magazine is empty.

Any defective or improperly functioning fastener driving tool must immediately be disconnected from the compressed air supply and passed to a specialist for inspection.

In the event of longer breaks in work or at the end of the working shift, disconnect the tool from the compressed air supply and empty the magazine.

The compressed air connectors of the fastener driving tool and the hoses should be protected against contamination. The ingress of coarse dust, chips, sand etc. will result in leaks and damage to the fastener driving tool and the couplings.

Keep the tool dry.

3.5 SUITABLE NAILS

We recommend the use of machine nails for our nailer, as these have a clean finish and are therefore the most suitable. We can supply you with the name of a suitable manufacturer upon request. Nails with bulging, irregular and non-circular heads must not be used. Nails bearing a pronounced fluting or ribbing on the shaft should be avoided.

Other nails i.e. spiral nails, annular grooved nails, harpoon-type nails and screw nails may be used, with limitations depending on size, wood and available air pressure. Remember: a single, bad nail could become the direct cause of a serious malfunction.

3.6 PENETRATION SETTING

When the tool leaves the factory it is adjusted in such a way that the fastener is driven in flush when the necessary operating pressure is used. If the fastener is driven in too far, the correct lower operating pressure has to be set.

Only if this is not sufficient or if the driver is too short after the tip has been ground, an adjustment must be made. Adjustment is only possible in the unpressurized condition.

Therefore disconnect the tool from the supply hose.

4. MAINTENANCE

NOTICE:

Never use gasoline, benzine, thinner, alcohol or the like. Discoloration, deformation or cracks may result.

Disconnect fastener from hose before servicing. When connecting the tool, it must not contain any fasteners.

Maintain the tool properly; clean it frequently, and oil the moving parts once a week.

The fastener has special grease so that no additional greasing is necessary between regular maintenance work. Additional greasing with the lubricator of the maintenance unit or a line lubricator increase the length of time before re-greasing the surface of the cylinder.

After approx. 100 000 driven fasteners, or at least once a year, have the tool inspected by a specialist in order to guarantee the safe function of the fastener driving tool.

5. MAKITA LIMITED WARRANTY

Please refer to the annexed warranty sheet for the most current warranty terms applicable to this product. If annexed warranty sheet is not available, refer to the warranty details set forth at below website for your respective country.

United States of America: www.makitatools.com

Canada: www.makita.ca

Other countries: www.makita.com

FRANÇAIS

DONNÉES TECHNIQUES

Numéro de modèle	AN944
Type d'outil	Cloueuse pour charpentes 28 degrés
Dimensions.....	17-1/2" x 4-31/32" x 13-11/32" (445 mm x 126 mm x 339 mm)
Poids de l'outil	6,97 lbs (3,16 Kg)
Air comprimé	
Pression de service maximale admissible.....	120 PSIG
Pression de service recommandée.....	70 – 120 PSIG (4,9 – 8,3 bar)
Consommation d'air par opération d'enfoncement	2,159 litres/cycle (0,076 scf/cycle) à pression de service de 101 PSIG (7 bar)
Valeurs de caractéristiques de bruit conformes à	
Niveau maximal de puissance sonore d'impulsion pondérée A	104,8 dBA
Niveau maximal de puissance sonore d'impulsion de surface pondérée A	94,8 dBA
Graissages recommandés	
Spécifications des fixations	0,113" – 0,131" (2,8 – 3,3 mm) longueur 2" – 3-1/2" (50 – 90 mm)
Accessoires	clés de 3, 4, 5 et 6
Applications et usages adéquats	Pour charpentes, planchers, poutres, parements, sous-planchers, clôtures, voligeages, tringles de clouage et assemblage de caisses
Système de commande (▽ palpeur de sécurité installé)	commande par contact ou coup par coup à simple armement
Dispositif déclencheur	activation par pression du doigt
Remplir le magasin	
1. Faites glisser jusqu'à 3 bandes de clous dans le magasin, jusqu'à ce qu'elles passent à travers le levier de la butée de clous.	
2. Faites reculer le poussoir jusqu'à ce qu'il se trouve derrière les clous chargés.	
3. Libérez le poussoir pour que les bandes de clous s'engagent, en prenant soin de garder le doigt à l'écart.	

CONSIGNES DE SÉCURITÉ IMPORTANTES

AVERTISSEMENT : PAR MESURE DE SÉCURITÉ, DES PRÉCAUTIONS DE BASE DOIVENT ÊTRE PRISES LORS DE L'UTILISATION DE CET OUTIL, AFIN DE RÉDUIRE LES RISQUES DE BLESSURE. CES PRÉCAUTIONS COMPRENNENT LES SUIVANTES :

LISEZ TOUTES LES INSTRUCTIONS.

1. Par mesure de sécurité personnelle et pour assurer une utilisation et un entretien adéquats, veuillez lire ce manuel d'instructions avant d'utiliser l'outil.

2. Portez toujours des lunettes de sécurité pour protéger vos yeux contre toute blessure au contact de la poussière ou d'un clou. Les lunettes de sécurité doivent répondre aux exigences de la norme ANSI Z87.1.

AVERTISSEMENT :

L'employeur a la responsabilité d'imposer le port d'un dispositif de protection des yeux aux utilisateurs des outils et à toute personne présente dans la zone de travail.

3. Portez une protection d'oreilles pour les protéger contre le bruit, et portez un casque de sécurité. Les vêtements portés doivent être légers et ne doivent pas être amples. Veuillez boutonner ou rouler vos manches. Ne portez pas de cravate.

4. Il est dangereux de travailler trop vite ou d'appliquer une charge de travail excessive à l'outil. Manipulez l'outil avec soin. N'utilisez pas l'outil si vous avez consommé de l'alcool, une drogue ou des médicaments, etc.

5. **Conseils généraux pour l'utilisation des outils :**
 - (1) Gardez toujours à l'esprit que l'outil contient des clous.
 - (2) L'outil ne doit jamais être pointé vers vous-même ou vers une autre personne, qu'il contienne ou non des clous.
 - (3) Ne mettez pas l'outil en marche avant qu'il ne soit fermement placé sur la pièce à travailler.
 - (4) Respectez votre outil en tant qu'instrument de travail.
 - (5) Évitez tout chahut.
 - (6) L'outil ne doit jamais être saisi ou transporté en posant un doigt sur la gâchette.
 - (7) Ne mettez jamais de clous dans l'outil alors que l'une de ses commandes est activée.
 - (8) Ne branchez jamais l'outil sur une source d'alimentation autre que celle spécifiée dans les instructions d'utilisation/sécurité qui l'accompagnent.
6. Tout outil défectueux ne doit pas être utilisé.
7. Des étincelles s'échappent parfois de l'outil pendant son utilisation. N'utilisez pas l'outil près de substances ou matériaux volatiles ou inflammables tels que l'essence, le diluant, la peinture, le gaz, les adhésifs, etc. Ils risqueraient de prendre feu, d'exploser et de causer une blessure grave.
8. L'aire de travail doit être suffisamment éclairée pour assurer la sécurité du travail. L'aire de travail doit être maintenue propre et exempte de déchets. Veillez particulièrement à maintenir une bonne assise et une bonne position d'équilibre.
9. Seules les personnes qui participent au travail doivent pénétrer dans la zone de travail. Les enfants, tout particulièrement, doivent être maintenus à l'écart en tout temps.

10. Il se peut que des réglementations locales s'appliquent concernant les niveaux de bruit permis. Veuillez les respecter. Le cas échéant, des volets doivent être installés pour réduire le bruit.
11. Ne modifiez pas l'élément de contact. Il permet de prévenir toute décharge accidentelle et doit donc être laissé en place. Il est également très dangereux de fixer la gâchette en position de marche. Il ne faut jamais essayer d'immobiliser la gâchette. N'utilisez jamais un outil dont une des commandes est inutilisable, déconnectée, modifiée ou ne fonctionne pas correctement.
12. Faites fonctionner l'outil avec la pression d'air spécifiée sur sa plaque signalétique pour assurer votre sécurité et une durée de service plus longue pour l'outil. Ne dépassez jamais la pression maximale recommandée. L'outil ne doit pas être raccordé à une source dont la pression peut dépasser 200 PSIG (13,6 bar).
13. Cet outil doit être exclusivement utilisé avec de l'air comprimé. L'utilisation d'une bouteille de gaz (dioxyde de carbone, oxygène, nitrogène, hydrogène, air, etc.) ou de gaz combustible (hydrogène, propane, acétylène, etc.) comme source de pression de cet outil entraînera une explosion et risque de causer une blessure grave.
14. Avant d'utiliser l'outil, assurez-vous qu'il est en bon état et qu'aucune de ses vis n'est desserrée. Le cas échéant, serrez les vis.
15. Assurez-vous que tous les dispositifs de sécurité sont en état de fonctionner avant d'utiliser l'outil. Il ne faut pas que l'outil s'active lorsque vous appuyez uniquement sur la gâchette ou appuyez simplement l'élément de contact contre le bois. Il ne doit s'activer que lorsque ces deux actions sont exécutées. Retirez les clous de l'outil et tirez complètement l'élément de contact pour vérifier l'absence de tout vice de fonctionnement.
16. Pour éviter tout risque de choc électrique, de fuite de gaz, d'explosion, etc., provoqué par le contact avec des fils dénudés, des conduites ou des tuyaux de gaz, vérifiez le mur ou le plafond, le plancher, le toit, etc.
17. Utilisez uniquement les clous spécifiés dans ce manuel. L'outil risque de mal fonctionner si vous utilisez tout autre type de clou.
18. Seules les personnes ayant pris connaissance du fonctionnement de l'outil doivent être autorisées à l'utiliser.
19. Avant de procéder au clouage, assurez-vous que personne ne se trouve près de vous. N'essayez jamais de clouer une pièce en même temps des côtés intérieur et extérieur. Cela est très dangereux, puisque les clous risquent alors de défoncer la pièce ou d'être projetés.
20. Regardez où vous posez les pieds et assurez-vous d'un bon équilibre pendant l'utilisation de l'outil. Assurez-vous qu'il n'y a personne au-dessous de vous lorsque vous travaillez dans un endroit élevé, et fixez le tuyau d'air de sorte qu'il ne risque pas de se détacher s'il est secoué ou s'il se coince.
21. Sur les toits et autres endroits élevés, clouez en vous déplaçant vers l'avant. Vous risquez de perdre pied si vous clouez en vous déplaçant à reculons. Lorsque vous clouez sur une surface verticale, faites-le du haut vers le bas. De cette façon le travail de clouage sera moins exigeant physiquement.
22. Le clou risque de se plier ou l'outil de se bloquer si vous clouez par inadvertance dans un nœud ou sur un autre clou. Le clou risque alors d'être projeté et de frapper quelqu'un, ou bien l'outil lui-même risque de réagir de manière dangereuse. Choisissez l'emplacement des clous avec soin.
23. N'abandonnez pas pour une période prolongée un outil chargé ou un compresseur d'air sous pression exposé au soleil à l'extérieur. Assurez-vous de toujours déposer l'outil en un endroit où la poussière, le sable, les copeaux et corps étrangers ne risquent pas d'y pénétrer.
24. Ne pointez jamais la sortie d'éjection vers une personne se trouvant à proximité. Gardez les mains et les pieds à l'écart de la zone de la sortie d'éjection.
25. Pour transporter l'outil ou le donner à quelqu'un alors que le tuyau d'air est raccordé, ne posez pas le doigt sur la gâchette. Le déclenchement accidentel de l'outil peut être extrêmement dangereux.
26. Manipulez l'outil prudemment. La pression élevée à l'intérieur de l'outil représente un danger si une fissure est provoquée par une manipulation brusque (si vous échappez ou heurtez l'outil). Ne tentez jamais de tailler ou graver une inscription sur l'outil.
27. Cessez immédiatement le clouage si vous notez une anomalie ou un fonctionnement inhabituel de l'outil.
28. Déconnectez toujours le tuyau d'air et retirez tous les clous dans les cas suivants :
 - (9) Lorsque l'outil est laissé sans surveillance.
 - (10) Avant d'effectuer tout travail d'entretien ou de réparation sur l'outil.
 - (11) Avant de réparer un blocage.
 - (12) Avant de déplacer l'outil vers un autre lieu.
29. Procédez au nettoyage et à l'entretien de l'outil une fois le travail terminé. Maintenez l'outil en excellente condition. Lubrifiez les pièces mobiles pour éviter qu'elles ne rouillent et pour limiter l'usure entraînée par la friction. Retirez toute poussière déposée sur les pièces.
30. Ne modifiez pas l'outil sans l'autorisation de Makita.
31. N'essayez pas de maintenir en position enfoncée la gâchette ou l'élément de contact avec un bout de ruban adhésif ou de fil. Il y a risque de décès ou de blessure grave.
32. Vérifiez toujours l'élément de contact, tel qu'indiqué dans ce manuel. Des clous risquent d'être projetés par accident si le mécanisme de sécurité ne fonctionne pas correctement.
33. Confiez régulièrement l'outil à un centre de service après-vente agréé Makita pour une inspection.

34. Pour maintenir la **SÉCURITÉ** et la **FIABILITÉ** de l'outil, son entretien et sa réparation doivent être effectués dans un centre de service après-vente agréé Makita, exclusivement avec des pièces de rechange Makita.

CONSERVEZ CE MODE D'EMPLOI.

AVERTISSEMENT :

Une **MAUVAISE UTILISATION** de l'outil ou l'ignorance des consignes de sécurité du présent manuel d'instructions peuvent entraîner une grave blessure.

EQUIPEMENTS DE COMMANDE

C'est l'action du doigt sur la gâchette qui commande le fonctionnement des cloueurs. Quelques appareils sont équipés en plus d'un palpeur de sécurité, grâce auquel l'enfoncement des fixations ne peut commencer que lorsque le nez de l'appareil est mis en contact avec la pièce à travailler. Ces appareils sont signalés par un triangle renversé sur la pointe (∇) et ne doivent pas être utilisés sans un palpeur de sécurité qui fonctionne correctement.

SYSTÈMES DE COMMANDE

Suivant le cas, ce cloueur peut être équipée de différents systèmes de commande. Pour savoir de quel système de commande un appareil est équipé, veuillez vous reporter aux Données Techniques correspondantes.

Commande coup par coup à simple armement (version recommandée): Système de commande dans lequel le palpeur de sécurité et la gâchette doivent être actionnés de telle sorte qu'aucune opération d'enfoncement ne puisse être déclenchée par la gâchette sans que le nez de l'appareil soit appliqué sur le point de tir. Les opérations suivantes ne peuvent être alors commandées qu'après le retour de la gâchette dans sa position de départ.

Commande coup par coup avec sécurités successives: Celui-ci est un système de déclenchement par lequel l'enfoncement des clous s'effectue en actionnant le palpeur de sécurité et la gâchette, afin que chaque coup soit obtenu par la gâchette, après que la bouche du cloueur soit positionnée sur l'endroit à clouer. D'autres clouages ne seront possibles, qu'une fois la gâchette et le palpeur de sécurité sont dans leur position initiale.

Commande par contact (version limitée): Système de commande pour lequel la gâchette et le palpeur de sécurité doivent être actionnés pour chaque opération d'enfoncement, l'ordre des actions n'étant pas spécifié. Pour les opérations d'enfoncement successifs, il suffit d'actionner le palpeur de sécurité, la gâchette restant actionnée ou vice-versa.

Les machines à enfoncer les fixations équipées de commande par contact doivent être marquées avec le symbole »Ne pas utiliser sur des échafaudages ou échelles« et ne seront pas utilisées pour utilisations spécifiques, par exemple:

- en cours de déplacement d'un lieu d'enfoncement à l'autre sur des échafaudages, escaliers, échelles ou constructions de même qu'échelles comme p.e. lattis du toit
- pour fermer des boîtes ou des caisses
- pour fixer par exemple des systèmes d'arrimage sur véhicules ou wagons.



Commande coup par coup avec verrouillage de la gâchette: Quelques modèles sont dotés d'un système de sécurité qui consiste en un petit levier placé derrière la gâchette; ce levier verrouille chaque fois que la gâchette est relâchée, si bien que tout déclenchement accidentel est impossible. Si l'on veut déclencher, il faut relever au préalable le levier de sécurité: c'est seulement alors que la gâchette pourra être actionnée.

SYMBOLES

Les symboles utilisés pour l'outil sont indiqués ci-dessous.



..... Veuillez lire les étiquettes et le manuel, en vous assurant d'en avoir bien compris le contenu.



..... L'utilisateur et toute personne présente dans la zone de travail doivent porter des lunettes de sécurité avec protecteurs latéraux.



..... Pour éviter le déclenchement accidentel de l'outil, ne placez pas les doigts près de la gâchette lorsque vous n'êtes pas en train de clouer.

Longueur des fixations	Systèmes de commande	Contraintes particulières
> 130 mm	Commande coup par coup avec sécurités successives	Le palpeur de sécurité doit toujours pouvoir revenir à sa position de départ quelque soit l'orientation de l'appareil
≤ 130 mm	Commande coup par coup avec palpeur de sécurité	Le palpeur de sécurité doit toujours pouvoir revenir à sa position de départ quelque soit l'orientation de l'appareil
≤ 100 mm > 65 mm	Commande par contact	La force de rappel du palpeur de sécurité doit être : ≥ 125% du poids* de l'appareil
≤ 65 mm	Commande par contact	La force de rappel du palpeur de sécurité doit être : ≥ 60% du poids* de l'appareil
	Commande en continu avec palpeur de sécurité	La force de rappel du palpeur de sécurité doit être : ≥ 60% du poids* de l'appareil
* sans fixations		

2. SYSTÈME D'AIR COMPRIMÉ

Pour un fonctionnement correct des machines à enfoncer les fixations, il est nécessaire d'avoir un air comprimé sec, filtré, et lubrifié, en quantité adéquate.

Si la pression du réseau d'air comprimé est supérieure à la pression de service admissible du cloueur, un robinet de réduction de pression muni d'une soupape de sûreté en aval doit être installé sur le réseau d'air comprimé.

NOTE: Lorsque l'air comprimé est fourni par des compresseurs, l'humidité naturelle de l'air se condense et s'accumule sous forme d'eau condensée dans les récipients sous pression et dans les tuyauteries. Il est nécessaire d'évacuer ces condensats par des séparateurs d'eau. Ces séparateurs d'eau doivent être vérifiés quotidiennement et vidangés si nécessaire: faute de quoi il pourrait se produire de la corrosion dans l'installation d'air comprimé et dans le cloueur et provoquer une usure.

Le dispositif de compression doit être dimensionné à l'égard de la capacité de pression et d'aspiration (courant volumétrique) pour la consommation estimée. Sections de conduite trop petites à proportion de la longueur de la conduite (conduits ou tuyaux) ou surcharge du compresseur mènent à une réduction de pression.

Pour les conduites d'air comprimé fixes, il est recommandé d'avoir un diamètre intérieur de 19 mm au minimum et d'augmenter ce diamètre en fonction de la longueur des conduites et du nombre d'utilisateurs. Il convient d'installer les conduites d'air comprimé avec une pente (le point le plus haut vers le compresseur). Il est recommandé d'installer des séparateurs d'eau facilement accessibles aux points les plus bas. Il convient d'installer les points de branchement pour les utilisateurs sur le dessus des tuyauteries.

Il est recommandé d'installer les points de branchement des machines à enfoncer les fixations directement au point de raccordement d'un dispositif d'entretien de l'air comprimé (filtre/séparateur d'eau/graisseur). Les graisseurs doivent être vérifiés quotidiennement et remplis si nécessaire avec l'huile recommandée (voir Données techniques). L'huileur du lubrificateur doit être réglé de telle façon qu'une goutte d'huile tombe environ tous 15 coups.

Lorsque l'on utilise des tuyaux flexibles de plus de 10 m de long, l'alimentation en huile du cloueur n'est pas garantie. Nous suggérons alors d'installer un graisseur directement sur l'appareil. Ajuster le dosage que cela suffit pour ca. 30 000 coups.

3. PRÉPARATION DE L'APPAREIL AVANT MISE EN SERVICE

3.1 PRÉPARATION DE L'APPAREIL AVANT LA PREMIÈRE UTILISATION

Lire et faire attention à ce mode d'emploi avant la mise en service de l'appareil. Mesures de sécurité fondamentales doivent être absolument suivies pour éviter des dommages de l'appareil et des blessures de l'opérateur ou d'autres personnes qui se trouvent à proximité du travail.

3.2 RACCORDEMENT AU RÉSEAU D'AIR COMPRIMÉ

Vérifier que la pression d'air du réseau d'air comprimé ne dépasse pas la pression de service admissible du cloueur. Dans un premier temps, régler la pression de l'air à la valeur la plus faible de la pression de service recommandée (voir Données techniques). Vider le magasin afin d'éviter toute éjection de fixation lors de la séquence de travail suivante dans le cas où des éléments intérieurs de guidage du cloueur n'aient pas été remis dans leur position normale de fonctionnement.

Raccorder le cloueur au réseau d'air comprimé en utilisant un tuyau souple adapté à la pression, et équipé de raccord rapides avec un diamètre intérieur utile de 8 mm. La douille de raccordement sur l'appareil doit avoir un Ø intérieur mini. de 7,4 mm.

Pour connaître la dimension extérieure de la douille de raccordement veuillez vous reporter aux Données Techniques.

3.3 REMPLISSAGE DU MAGASIN

N'utiliser que les fixations spécifiées dans les données techniques (voir section 1.1).

Lors du remplissage du magasin, tenir l'appareil de manière à ce que le nez ne soit pas dirigé vers votre corps ou vers une autre personne.

Pendant le chargement de l'appareil il est interdit de toucher la gâchette ni le palpeur de sécurité.

Vous trouverez toutes les autres indications concernant la manière de placer ou d'enlever les fixations ou la manière de recharger l'appareil – et qui peuvent varier suivant les modèles – dans les Données Techniques.

3.4 MANUTENTION DE L'APPAREIL

Tenir compte de la section »1. Références spéciales« de cette instruction d'emploi.

Après avoir vérifié le fonctionnement impeccable du cloueur, placer l'appareil sur la pièce à travail et actionner la gâchette.

Dans tous les cas, il convient de s'efforcer de travailler à la pression d'air la plus faible. Ceci apporte trois avantages significatifs

1. économie d'énergie
2. réduction du niveau de bruit
3. diminution de l'usure du cloueur.

Eviter d'actionner la gâchette du cloueur si le magasin est vide.

En cas de défaut ou de fonctionnement incorrect, le cloueur doit immédiatement être débranchée de l'alimentation en air comprimé et remise à un spécialiste pour vérification.

Pendant les pauses de travail prolongées ou à la fin de la période de travail, débrancher l'appareil de la source d'énergie et il est recommandé de vider le magasin.

Protéger les raccords d'air comprimé du cloueur et les tuyaux souples contre tout polluant. La pénétration de grosses poussières, de copeaux, de sable etc... provoquera des fuites et endommagera le cloueur. Préserver l'appareil de l'humidité

3.5 POINTES À UTILISER

Nous recommandons d'employer de préférence des pointes calibrées qui en raison de leur uniformité sont le mieux adaptées au clouage pneumatique. Nous sommes en mesure de recommander sur demande un fabricant. Ne sont pas appropriés des pointes à têtes refoulées normales, irrégulières ou ovales. Éviter l'emploi de clous présentant des nervures ou des cannelures prononcées sur la tige.

L'on peut également enfoncer des clous-vis, des pointes annelées, des clous-harpons et des fausses vis aux dimensions appropriées et dont le filetage et les têtes ne présentent pas d'arêtes vives.

Considérez que chaque pointe en mauvais état peut provoquer des incidents de fonctionnement.

3.6 RÉGLAGE DE LA PROFONDEUR D'ENFONCEMENT

Quand l'outil est livré, il est ajusté de manière que l'enfoncement du projectile est affleuré si la pression d'air nécessaire est utilisée. Si le projectile est trop enfoncée, il est nécessaire d'ajuster la pression d'air plus bas juste. Seulement si cela ne suffit pas ou si le piston est trop court après le réaffilage de sa pointe, il faut faire un ajustage. Celui-ci est seulement possible une fois le cloueur est débranché de son tuyau d'alimentation en air comprimé.

4. MAINTENANCE

AVIS :

N'utilisez jamais d'essence, de benzine, de solvant, d'alcool ou d'autres produits similaires. Une décoloration, une déformation ou la formation de fissures peuvent en découler.

L'appareil doit être impérativement séparé du tuyau à air comprimé et aucun projectile ne doit être dans l'appareil. L'appareil doit être toujours propre, nettoyez-le fréquemment et lubrifiez les pièces mobiles chaque semaine.

L'appareil est fourni d'une graisse spéciale, pour qu'une lubrification supplémentaire entre les travaux d'entretien ne soit pas nécessaire. On peut graisser de plus avec l'huileur du groupe de conditionnement ou un graisseur de ligne, pour qu'il ne soit pas nécessaire de régraisser si fréquemment la surface du cylindre.

Faire examiner le cloueur par un expert après 100 000 fixations environ ou une fois par an au minimum pour garantir la fonction sûre du cloueur.

Veillez à ce que le palpeur de sécurité et l'étrier de sécurité aient un mouvement facile.

5. GARANTIE LIMITÉE MAKITA

Pour les conditions de garantie en vigueur qui s'appliquent à ce produit, veuillez vous reporter à la feuille de garantie en annexe. Si la feuille de garantie en annexe n'est pas disponible, reportez-vous aux détails de la garantie présentés sur le site Web de votre pays, ci-dessous.

États-Unis d'Amérique: www.makitatools.com

Canada: www.makita.ca

Autres pays: www.makita.com

Makita Corporation
3-11-8, Sumiyoshi-cho,
Anjo, Aichi 446-8502 Japan
www.makita.com

AN944-MC-1904
IDE