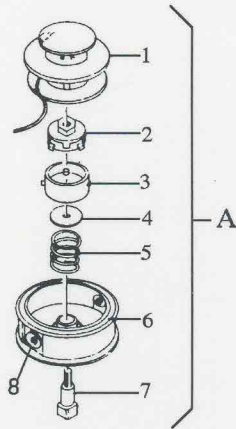
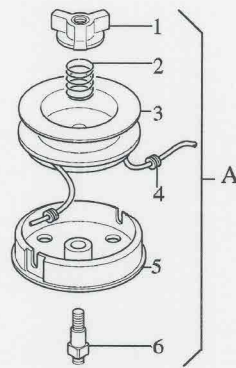




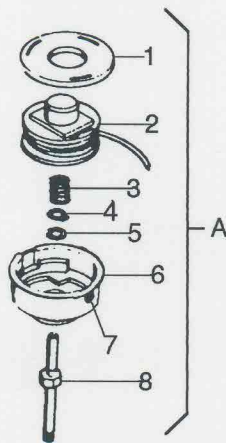
# TRIMMER HEAD



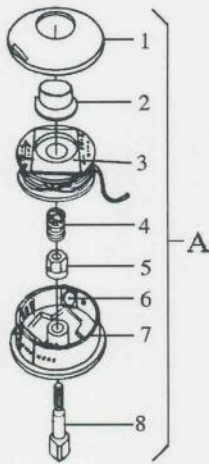
BC-210*, BC-212*		
Item No.	Part No.	Description
A	380 224 090	Semi-Matic Head Assy (LH)
1	380 224 100	Spool (LH)
2	380 224 120	Inner Cam (LH)
3	380 224 130	Outer Driver
4	380 224 140	Disk
5	380 224 150	Spring
6	380 224 160	Housing
7	380 224 170	Shaft Bolt (LH, FM)
8	385 224 504A	Eyelet



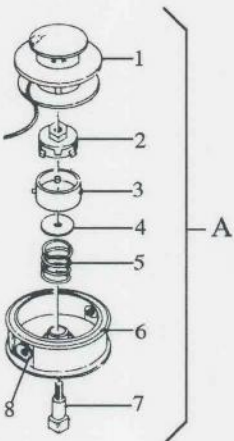
BC-250*, BC-330*, BC-400*, DBC300*, DBC301*, DST300*		
Item No.	Part No.	Description
A	370 224 600	Manual Head Assy (LH)
1	385 224 501A	Knob (LH)
2	385 224 502A	Spring
3	385 224 503A	Spool
4	385 224 504A	Eyelet
5	385 224 505A	Housing
6	370 224 610A	Shaft Bolt (LH, M)
	380 224 170	Shaft Bolt (LH, FM)



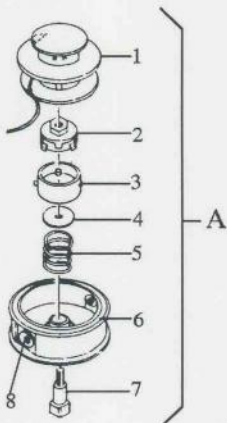
LT-21*		
Item No.	Part No.	Description
A	377 224 000	Mini Bump Head Assy
1	377 224 020	Spool Cover
2	377 224 030	1 - Line Spool
3	377 224 040	Spring
4	377 224 050	Retaining Ring
5	377 224 060	Disk
6	377 224 010	Housing
7	377 224 070	Eyelets
8	377 224 080	Spindle



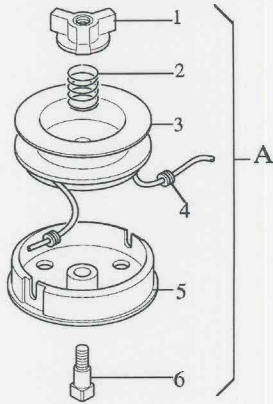
LT-210*		
Item No.	Part No.	Description
A	378 224 300	Bump & Cut Head Assy(RH)
1	378 224 090	Cover
2	378 224 080	Button
3	378 224 120	Spool With Line (RH)
4	377 224 040 (378 224 030)	Spring
5	378 224 070	Nut
6	385 224 504A	Eyelet
7	378 224 110	Housing
8	378 224 040	Shaft Bolt (FM)



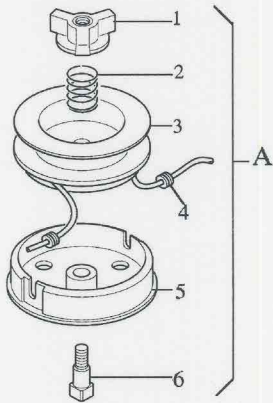
RST250, LT-250*		
Item No.	Part No.	Description
A	380 224 090B	Semi-Matic Head Assy (RH)
1	380 224 100R	Spool (RH)
2	380 224 120R	Inner Cam (RH)
3	380 224 130	Outer Driver
4	380 224 140	Disk
5	380 224 150	Spring
6	380 224 160	Housing
7	385 224 510C	Shaft Bolt (RH, FM)
8	385 224 504A	Eyelet



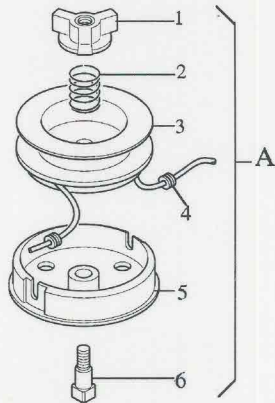
MS-220* MS-221*, MS-250*, MS-251*, MS-2300*, MS-2600*, MS-3100*, MS-4150*, RBC25A, RBC201, RBC221, RBC226, RBC251, RBC252, RBC253, RBC255, RBC280, RBC281, RBC320, RBC321		
Item No.	Part No.	Description
A	380 224 090A	Semi-Matic Head Assy (LH)
1	380 224 100	Spool (LH)
2	380 224 120	Inner Cam (LH)
3	380 224 130	Outer Driver
4	380 224 140	Disk
5	380 224 150	Spring
6	380 224 160	Housing
7	385 224 510A	Shaft Bolt (LH, FM)
8	385 224 504A	Eyelet



BC225*, BC225E*, RBC25A, RBC201, RBC221, RBC226, RBC251, RBC252, RBC253, RBC255, RBC280, RBC281, RBC320, RBC321		
Item No.	Part No.	Description
A	385 224 500A	Manual Head Assy (LH)
1	385 224 501A	Knob (LH)
2	385 224 502A	Spring
3	385 224 503A	Spool
4	385 224 504A	Eyelet
5	385 224 505A	Housing
6	385 224 510A	Shaft Bolt (LH, FM)



DBC3300, DBC4000, DBC4010, DBC4510, MS-220*, MS-221*, MS-250*, MS-251*, MS-2300*, MS-2600*, MS-3100*, MS-3300*, MS-4000*, MS-4150*, MS-4500*		
Item No.	Part No.	Description
A	385 224 500	Manual Head Assy (LH)
1	385 224 501A	Knob (LH)
2	385 224 502A	Spring
3	385 224 503A	Spool
4	385 224 504A	Eyelet
5	385 224 505A	Housing
6	385 224 510	Shaft Bolt (LH, FM)

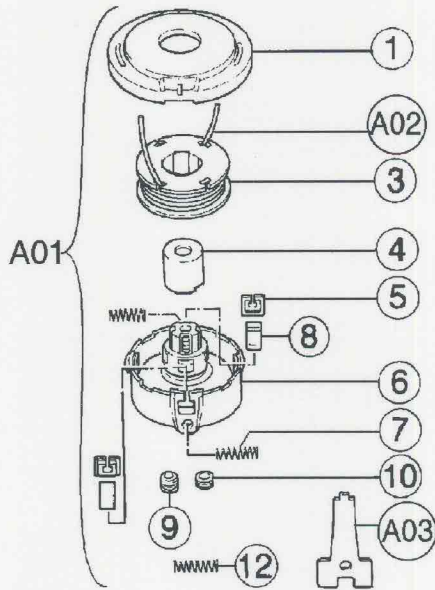


MS-4100*		
Item No.	Part No.	Description
A	385 224 500B	Manual Head Assy (LH)
1	385 224 501A	Knob (LH)
2	385 224 502A	Spring
3	385 224 503A	Spool
4	385 224 504A	Eyelet
5	385 224 505A	Housing
6	385 224 510B	Shaft Bolt (LH, FM)

# ULTRA AUTO TRIMMER HEAD ASSY

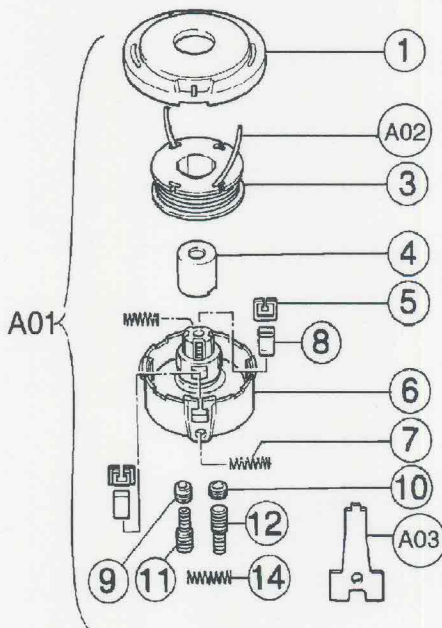
# 4X (RH) & 4Y (LH)

## ULTRA AUTO 4X(RH)

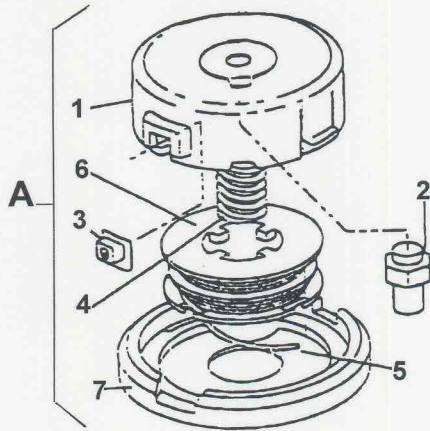


RST250			
Item No.	Part No.		Description
	Makita	Dolmar	
1	A-15958	B-70390	Cover
3	A-15970		Spool
4	A-15986		Knob Head
5	A-15992		Eyelet (2ps/set)
6	A-16623	B-70415* Discontinued	Housing (R.H.)
7	A-16097		Spring (Regular:Red)(2ps/set)
8	A-16106		Spring Cover (2ps/set)
9	A-16639		A-Nut M8 (R.H.)
10	A-16645		B-Nut 3/8" (R.H.)
12	A-16019		Spring (Strong:Black)(2ps/set)
A01	<b>B-60121</b> (B-03006)	B-70340* Discontinued	Ultra Auto 4X(RH) Assy
A02	A-15964		Nylon Cord 2.4x3m
A03	A-16069		Special Wrench

## ULTRA AUTO 4Y(LH)

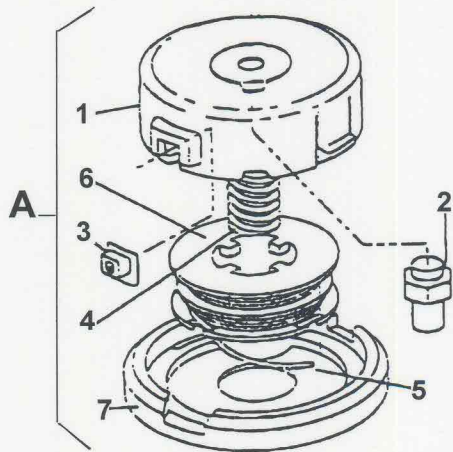


BC225*, BC225E*, RBC25A, RBC201, RBC221, RBC226, RBC251, RBC252, RBC253, RBC255, RBC280, RBC281, RBC320, RBC321, MS-220*, MS-221*, MS-250*, MS-251*, MS-2300*, MS-2600*, MS-3100*, MS-4150*			
Item No.	Part No.		Description
	Makita	Dolmar	
1	A-15958	B-70390	Cover
3	A-15970		Spool
4	A-15986		Knob Head
5	A-15992		Eyelet (2ps/set)
6	A-16003	B-70409	Housing (L.H.)
7	A-16097		Spring Regular:Red (2ps/set)
8	A-16106		Spring Cover (2ps/set)
9	A-16025		A-Nut M8 (L.H.)
10	A-16031		B-Nut M10 (L.H.)
11	A-16047		C-Bolt M8-M10 (L.H.)
12	A-16053		D-Bolt M7-M10 (L.H.)
14	A-16019		Spring (Strong:Black) (2ps/set)
A01	B-02945	B-70356* Discontinued	Ultra Auto 4Y(LH) Assy
A02	A-15964		Nylon Cord 2.4x3m
A03	A-16069		Special Wrench



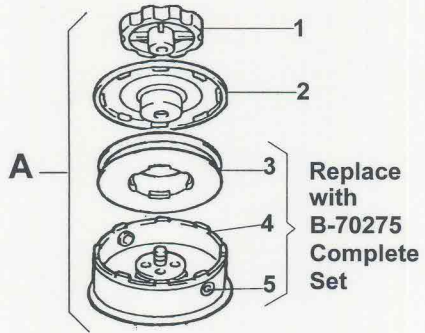
BC225\*, BC225E\*, RBC25A, RBC201, RBC221, RBC226, RBC251, RBC252, RBC253, RBC255, RBC280, RBC281, RBC320, RBC321, MS-220\*, MS-221\*, MS-250\*, MS-251\*, MS-2300\*, MS-2600\*, MS-3100\*, MS-4150\*

Item No.	Part No.	Description
A	B-60143	Bump & Feed Head Assy L.H.
1	B-03034	Housing
2	B-03040	Nut M8
3	A-15992	Eyelet (2pcs/Set)
4	B-03056	Tap Spring
5	B-01971	Nylon Cord .095 X 16.4'
6	B-03137	Spool Without Cord
	<b>B-03137 (B-03078)</b>	Spool With Nylon Cord .095 X 20'
7	B-60159	Cover (Blue)



**RST250**

Item No.	Part No.	Description
A	A-90124	Bump & Feed Head Assy R.H.
1	B-03084	Housing
2	B-03090	Nut M8 X 1.25 (R.H.)
3	A-15992	Eyelet (2pcs/Set)
4	B-03056	Tap Spring
5	B-01971	Nylon Cord .095 X 16.4'
6	B-03137	Spool Without Cord
	B-03078	Spool With Nylon Cord .095 X 20'
7	B-60159	Cover (Blue)



MS-2300* + Many		
Item No.	Part No.	Description
A	B-70275	Nylon Cutting Head 1X (LH) Super Auto
1	B-02026	Fix Screw of Cover
2	B-02010	Cover of Super Auto
3	These Items not available separately Replace these Items by complete set - B-70275	
4		
5		