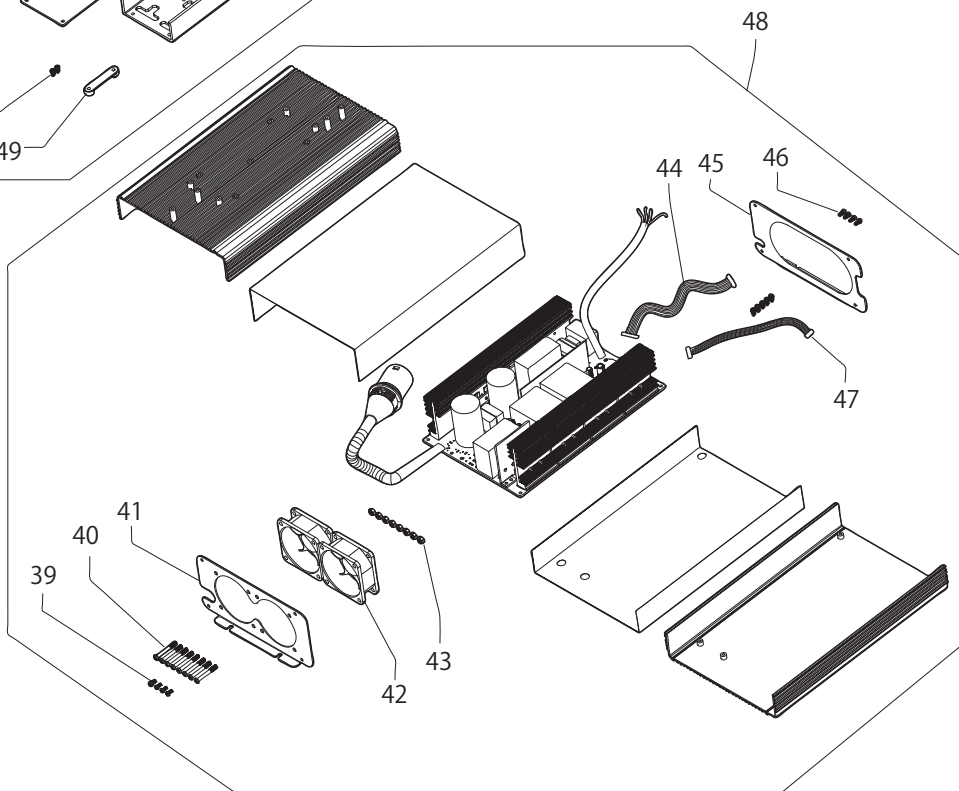
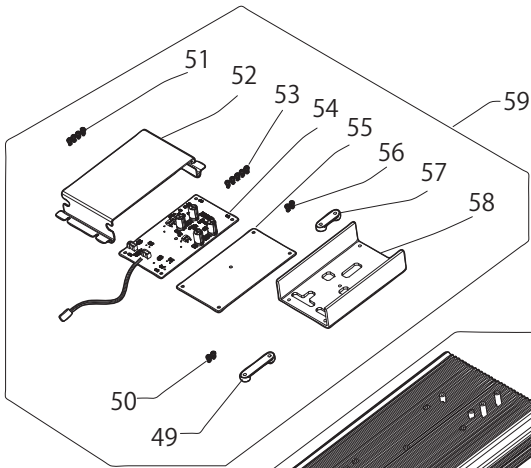
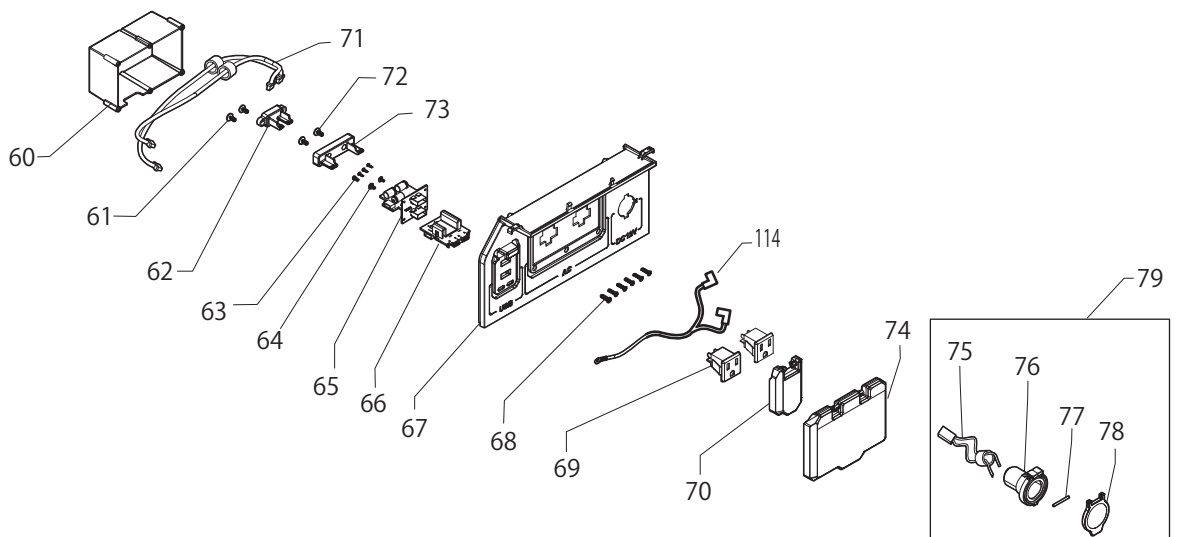
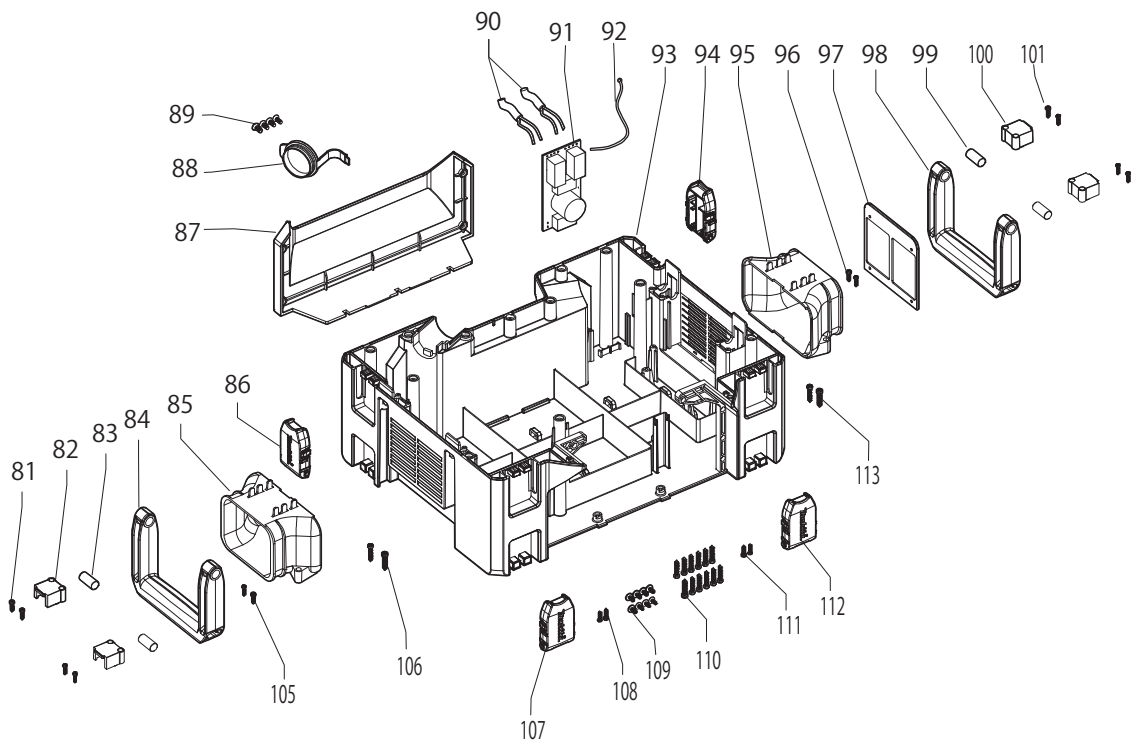


- 37
- 36
- 35
- 34
- 33
- 32
- 31
- 30
- 29
- 28
- 27
- 26
- 25





Item No.	Type	Sub	Part No.	Description	Qty	Unit
001			QY0000011	TAPPING SCREW 3X12	3	PC.
002			QY00000158	HOOK B COVER	1	PC.
003			QY00000159	TORSION SPRING A	1	PC.
004			QY00000160	HOOK B	1	PC.
005			QY00000161	TORSION SPRING B	1	PC.
006			QY00000011	TAPPING SCREW 3X12	3	PC.
007			QY00000158	HOOK B COVER	1	PC.
008			QY00000159	TORSION SPRING A	1	PC.
009			QY00000162	HOOK C	1	PC.
010			QY00000161	TORSION SPRING B	1	PC.
011			QY00000163	TOP HOUSING	1	PC.
012			QY00000164	O-RING	2	PC.
013			QY00000165	LATCH B	1	PC.
		INC.		Item No. 12		
014			QY00000166	LATCH B COVER	1	PC.
015			QY00000011	TAPPING SCREW 3X12	4	PC.
016			QY00000011	TAPPING SCREW 3X12	3	PC.
017			QY00000167	LATCH A COVER	1	PC.
018			QY00000165	LATCH B	1	PC.
		INC.		Item No. 19		
019			QY00000164	O-RING	2	PC.
020			QY00000159	TORSION SPRING A	1	PC.
021			QY00000168	HOOK A	1	PC.
022			QY00000161	TORSION SPRING B	1	PC.
023			QY00000169	HOOK A COVER	1	PC.
024			QY00000011	TAPPING SCREW 3X12	3	PC.
025			QY00000170	TAPPING SCREW 2.0X6	8	PC.
026			QY00000171	CONTROL PCB	1	PC.
027			QY00000170	TAPPING SCREW 2.0X6	4	PC.
028			QY00000172	KEY FRAME	1	PC.
029			QY00000173	USB BUTTON	1	PC.
030			QY00000170	TAPPING SCREW 2.0X6	4	PC.
031			QY00000172	KEY FRAME	1	PC.
032			QY00000174	AC BUTTON	1	PC.
033			QY00000170	TAPPING SCREW 2.0X6	4	PC.
034			QY00000172	KEY FRAME	1	PC.
035			QY00000175	DC BUTTON	1	PC.
036			QY00000176	LENS	1	PC.
037			QY00000177	TAPPING SCREW 3.0X8	5	PC.
038			QY00000178	PANEL ASSY	1	PC.
039			QY00000011	TAPPING SCREW 3X12	4	PC.
040			QY00000179	SCREW 4.0X29.5	8	PC.
041			QY00000180	FAN PLATE	1	PC.
042			QY00000181	FAN	2	PC.
043			QY00000182	HEX. NUT M4	8	PC.
044			QY00000183	LEAD UNIT A	1	PC.
045			QY00000184	PLATE B	1	PC.
046			QY00000011	TAPPING SCREW 3X12	4	PC.
047			QY00000185	LEAD UNIT B	1	PC.
048			QY00000254	MAIN PCB ASSY	1	PC.
		INC.		Item No. 39-47		
049			QY00000187	LEAD HOLDER A	1	PC.
050			QY00000188	SCREW M3X6	2	PC.
051			QY00000188	SCREW M3X6	4	PC.
052			QY00000189	SHIELD	1	PC.
053			QY00000190	SCREW M3X8	5	PC.

Item No.	Type	Sub	Part No.	Description	Qty	Unit
054			QY00000191	DC DC CONVERTER PCB	1	PC.
055			QY00000192	HEAT DISSIPATION SHEET	1	PC.
056			QY00000188	SCREW M3X6	2	PC.
057			QY00000193	LEAD HOLDER B	1	PC.
058			QY00000194	HEAT SINK DC	1	PC.
059			QY00000195	DC PCB ASSY	1	PC.
		INC.		Item No. 49-58		
060			QY00000196	AC PLUG BRACKET	1	PC.
061			QY00000026	TAPPING SCREW 3X8	2	PC.
062			QY00000197	USB HOLDER PLATE	1	PC.
063			QY00000170	TAPPING SCREW 2.0X6	4	PC.
064			QY00000198	TAPPING SCREW FLANGE 2X5	2	PC.
065			QY00000199	USB PCB	1	PC.
066			QY00000200	USB TYPE-C PCB	1	PC.
067			QY00000201	PANEL OUTPUT	1	PC.
068			QY00000036	TAPPING SCREW 3X12	6	PC.
069			QY00000054	AC OUTPUT SOCKET A	2	PC.
070			QY00000210	USB COVER	1	PC.
071			QY00000211	LEAD UNIT D	2	PC.
072			QY00000026	TAPPING SCREW 3X8	2	PC.
073			QY00000212	AC SOCKET HOLDER PLATE	1	PC.
074			QY00000213	AC PLUG COVER	1	PC.
075			QY00000214	LEAD UNIT E	1	PC.
076			QY00000215	CIGAR LIGHTER SOCKET	1	PC.
077			QY00000216	PIN	1	PC.
078			QY00000217	CIGAR LIGHTER SOCKET COVER	1	PC.
079			QY00000218	CIGAR LIGHTER SOCKET ASSY	1	PC.
		INC.		Item No. 75-78		
081			QY00000219	TAPPING SCREW 3X30	4	PC.
082			QY00000220	HANDLE PIN COVER	2	PC.
083			QY00000221	HANDLE PIN	2	PC.
084			QY00000222	HANDLE	1	PC.
085			QY00000223	DUCT	1	PC.
086			QY00000224	LATCH A	1	PC.
087			QY00000225	CONTAINNER BOX COVER	1	PC.
088			QY00000226	PLUG COVER	1	PC.
089			QY00000227	COUNTERSUNK TAPPING SCREW 4X12	4	PC.
090			QY00000228	LEAD UNIT F	1	PC.
091			QY00000234	FILTER PCB ASSY (L)	1	PC.
092			QY00000235	EARTH WIRE	1	PC.
093			QY00000236	BOTTOM HOUSING	1	PC.
094			QY00000224	LATCH A	1	PC.
095			QY00000223	DUCT	1	PC.
096			QY00000011	TAPPING SCREW 3X12	2	PC.
097			QY00000237	FILTER	1	PC.
098			QY00000222	HANDLE	1	PC.
099			QY00000221	HANDLE PIN	2	PC.
100			QY00000220	HANDLE PIN COVER	2	PC.
101			QY00000219	TAPPING SCREW 3X30	4	PC.
105			QY00000011	TAPPING SCREW 3X12	2	PC.
106			QY00000001	TAPPING SCREW 4X20	2	PC.
107			QY00000224	LATCH A	1	PC.
108			QY00000011	TAPPING SCREW 3X12	2	PC.
109			QY00000026	TAPPING SCREW 3X8	8	PC.
110			QY00000001	TAPPING SCREW 4X20	12	PC.
111			QY00000011	TAPPING SCREW 3X12	2	PC.
112			QY00000224	LATCH A	1	PC.
113			QY00000001	TAPPING SCREW 4X20	2	PC.

Item No.	Type	Sub	Part No.	Description	Qty	Unit
114			QY00000209	LEAD UNIT C	1	PC.
<u>ACCESSORIES</u>						
A01			QY00000249	NAMEPLATE	1	PC.