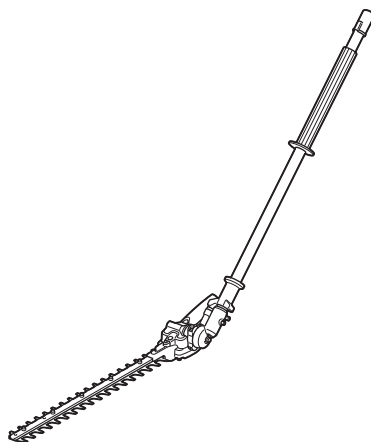


INSTRUCTION MANUAL  
MANUEL D'INSTRUCTION  
MANUAL DE INSTRUCCIONES



# Hedge Trimmer Attachment Tête Taille-Haie à Perche Accesorio para Cortasetos

## EN402MP



**IMPORTANT:** Read Before Using.

**IMPORTANT :** Lire avant usage.

**IMPORTANTE:** Lea antes de usar.

# SPECIFICATIONS

|                |                  |
|----------------|------------------|
| Model:         | EN402MP          |
| Blade length   | 500 mm (19-3/4") |
| Overall length | 1444 mm (57")    |
| Net weight     | 2.4 kg (5.3 lbs) |

- Due to our continuing program of research and development, the specifications herein are subject to change without notice.
- Specifications may differ from country to country.

## Approved power unit

This attachment is approved to use only with the following power unit(s):

- DUX60 Cordless multi function power head
- XUX01 Cordless multi function power head
- DUX18 Cordless multi function power head
- XUX02 Cordless multi function power head
- UX01G Cordless multi function power head
- GUX01 Cordless multi function power head

**⚠ WARNING: Never use the attachment with non-approved power unit. Non-approved combination may cause serious injury.**

## Symbols

The followings show the symbols which may be used for the equipment. Be sure that you understand their meaning before use.



Read and follow the instruction manual.



DANGER - Keep hands away from blade.



Beware of electrical lines. Risk of electrical shock.



Wear protective helmet, eye and ear protection.



Wear protective gloves.



Wear sturdy boots with non-slip soles.



Keep bystanders and animals at least 15 m (50 ft) away from the power tool.



Keep the area of operation clear of all persons and pets.



Guaranteed sound power level according to EU Outdoor Noise Directive.



Sound power level according to Australia NSW Noise Control Regulation.

# SAFETY WARNINGS

## Cordless Pole Hedge Trimmer Safety Warnings

1. **Keep all parts of the body away from the blade. Do not remove cut material or hold material to be cut when blades are moving.** Blades continue to move after the switch is turned off. A moment of inattention while operating the hedge trimmer may result in serious personal injury.
2. **Carry the hedge trimmer by the handle with the blade stopped and taking care not to operate any power switch.** Proper carrying of the hedge trimmer will decrease the risk of inadvertent starting and resultant personal injury from the blades.
3. **When transporting or storing the hedge trimmer, always fit the blade cover.** Proper handling of the hedge trimmer will decrease the risk of personal injury from the blades.
4. **When clearing jammed material or servicing the unit, make sure all power switches are off and the battery pack is removed or disconnected.** Unexpected actuation of the hedge trimmer while clearing jammed material or servicing may result in serious personal injury.
5. **Hold the hedge trimmer by insulated gripping surfaces only, because the blade may contact hidden wiring.** Blades contacting a "live" wire may make exposed metal parts of the hedge trimmer "live" and could give the operator an electric shock.
6. **Keep all power cords and cables away from cutting area.** Power cords or cables may be hidden in hedges or bushes and can be accidentally cut by the blade.

7. **Do not use the hedge trimmer in bad weather conditions, especially when there is a risk of lightning.** This decreases the risk of being struck by lightning.
8. **To reduce the risk of electrocution, never use the pole hedge trimmer near any electrical power lines.** Contact with or use near power lines may cause serious injury or electric shock resulting in death.
9. **Always use two hands when operating the pole hedge trimmer.** Hold the pole hedge trimmer with both hands to avoid loss of control.
10. **Always use head protection when operating the pole hedge trimmer overhead.** Falling debris can result in serious personal injury.
3. **Wear protective goggles, safety helmet and protective gloves to protect yourself from flying debris or falling objects.**
4. **When touching blades or adjusting the blade angle, wear protective gloves.** Blades can cut bare hands severely.

#### Operation

1. **Always use two hands to operate the tool.**  
Using one hand could cause loss of control and result in serious personal injury.
2. **While operating the tool, always ensure that the operating position is safe and secure.** Overreaching with the tool, particularly from a ladder, is extremely dangerous. Do not work from anything wobbly or infirm.
3. **Do not simultaneously wear multiple belt harnesses and/or shoulder harnesses when operating the tool.**
4. **During operation, keep bystanders or animals at least 15 m (50 ft.) away from the tool.** Stop the tool as soon as someone approaches.
5. **If cutting tool strikes any object or the tool starts making unusual noise or vibration, switch off the tool and remove the battery cartridge immediately and allow the tool to stop. And then take the following steps:**
  - inspect for damage
  - check for, and tighten, any loose parts
  - have any damaged parts replaced or repaired with genuine spare parts.
6. **Only use the tool for its intended purpose. Do not use the tool for any other purpose.**
7. **Switch off the tool and remove the battery cartridge before:**
  - cleaning or when clearing a blockage,
  - checking, carrying out maintenance or working on the tool,
  - adjusting the working position of the shear blades,
  - leaving the tool unattended.
8. **Ensure that the tool is correctly located in a designated working position before starting the tool.**
9. **Do not operate the tool with a damaged or excessively worn shear blades.**
10. **Always be aware of your surroundings and stay alert for possible hazards of which you may not be aware due to the noise of the tool.**
11. **Be careful not to accidentally contact a metal fence or other hard objects during operation.** The blade will break and may cause serious injury.
12. **Avoid unintentional starting. Do not carry the tool when the battery cartridge is installed and with finger on the switch. Make sure that the switch is off when installing the battery cartridge.**
13. **Do not grasp the exposed cutting blades or cutting edges when picking up or holding the tool.**
14. **Do not force the tool.** It will do the job better and with less likelihood of a risk of injury at the rate for which it was designed.
15. **Do not use the tool in the rain or in wet or very damp conditions.** The electric motor is not waterproof.

## Additional Safety Instructions

### Preparation

1. **THIS HEDGE TRIMMER CAN CAUSE SERIOUS INJURIES.** Read the instructions carefully for the correct handling, preparation, maintenance, starting and stopping of the tool. Become familiar with all controls and the proper use of the tool.
2. **Check the hedges and bushes for foreign objects, such as wire fences or hidden wiring before operating the tool.**
3. **The tool must not be used by children or young persons under 18 years of age.** Young persons over 16 years of age may be exempted from this restriction if they are undergoing training under the supervision of an expert.
4. **In the event of an emergency, switch off the tool and remove the battery cartridge immediately.**
5. **DANGER - Keep hands away from blade.** Contact with blade will result in serious personal injury.
6. **First-time users should have an experienced user show them how to use the tool.**
7. **Before operation, examine the work area for wire fences, stones, or other solid objects. They can damage the blades.**
8. **Use the tool only if you are in good physical condition.** If you are tired, your attention will be reduced. Be especially careful at the end of a working day. Perform all work calmly and carefully. The user is responsible for all damages to third parties.
9. **Before starting work, check to make sure that the tool is in good and safe working order. Ensure guards are fitted properly. The tool must not be used unless fully assembled.**
10. **Avoid dangerous environment. Don't use the tool in damp or wet locations or expose it to rain. Water entering the tool will increase the risk of electric shock.**

### Personal protective equipment

1. **Work gloves of stout leather are part of the basic equipment of the tool and must always be worn when working with it. Also wear sturdy shoes with anti-skid soles.**
2. **Wear ear protection such as ear muffs to prevent hearing loss.**

16. Hold the tool firmly when using the tool.
17. Do not operate the tool at no-load unnecessarily.
18. Before checking the shear blades, taking care of faults, or removing foreign objects caught in the shear blades, always switch off the tool and remove the battery cartridge.
19. Never point the shear blades to yourself or others.
20. If the blades stop moving due to the stuck of foreign objects between the blades during operation, switch off the tool and remove the battery cartridge, and then remove the foreign objects using tools such as pliers. Removing the foreign objects by hand may cause an injury for the reason that the blades may move in reaction to removing the foreign objects.
21. When attaching or removing the blade cover, be careful not to injure your hands.
6. Use genuine spare parts only.
7. When moving the tool to another location, including during work, always remove the battery cartridge and put the blade cover on the shear blades. Never carry or transport the tool with the blades running. Never grasp the blades with your hands.
8. Clean the tool and especially the shear blades after use, and before putting the tool into storage for extended periods. Lightly oil the shear blades and put on the blade cover.
9. Do not dispose of the battery(ies) in a fire. The cell may explode. Check with local codes for possible special disposal instructions.
10. Do not open or mutilate the battery(ies). Released electrolyte is corrosive and may cause damage to the eyes or skin. It may be toxic if swallowed.
11. Do not charge battery in rain, or in wet locations.

#### Electrical and battery safety

1. Avoid dangerous environment. Don't use the tool in damp or wet locations or expose it to rain. Water entering the tool will increase the risk of electric shock.
2. Do not dispose of the battery(ies) in a fire. The cell may explode. Check with local codes for possible special disposal instructions.
3. Do not open or mutilate the battery(ies). Released electrolyte is corrosive and may cause damage to the eyes or skin. It may be toxic if swallowed.
4. Do not charge battery in rain, or in wet locations.
5. Do not charge the battery outdoors.
6. Do not handle charger, including charger plug, and charger terminals with wet hands.

#### Maintenance and storage

1. When the tool is stopped for servicing, inspection or storage, switch off the tool and remove the battery cartridge, and make sure all moving parts have come to a stop. Allow the tool to cool before making any inspections, adjustment, etc.
2. Always allow the tool to cool down before storing.
3. When not in use, attach the blade cover to the tool and store the tool indoors in dry, and high locked-up place, out of reach of children.
4. Maintain the tool with care. Keep cutting edge sharp and clean for best performance and to reduce the risk of injury. Follow instructions for lubricating and changing accessories. Keep grips dry, clean, and free from oil and grease.
5. Check damaged parts. Before further use of the tool, any part which is damaged should be carefully checked to determine that it will operate properly and perform its intended function. Check for alignment of moving parts, binding of moving parts, breakage of parts, mounting and any other condition that may affect its operation. A guard or other part that is damaged should be properly repaired or replaced by your authorized service center.

## SAVE THESE INSTRUCTIONS.

**⚠WARNING:** DO NOT let comfort or familiarity with product (gained from repeated use) replace strict adherence to safety rules for the subject product. MISUSE or failure to follow the safety rules stated in this instruction manual may cause serious personal injury.

**⚠WARNING:** Use of this product can create dust containing chemicals which may cause respiratory or other illnesses. Some examples of these chemicals are compounds found in pesticides, insecticides, fertilizers and herbicides. Your risk from these exposures varies, depending on how often you do this type of work. To reduce your exposure to these chemicals: work in a well ventilated area, and work with approved safety equipment, such as those dust masks that are specially designed to filter out microscopic particles.

## PARTS DESCRIPTION

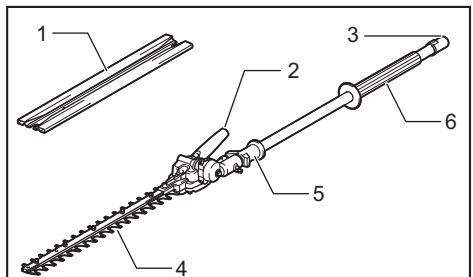


Fig.1

- ▶ 1. Blade cover 2. Angle adjustment handle 3. Cap  
4. Shear blades 5. Slide lever 6. Front grip

## ASSEMBLY

**⚠ WARNING:** Before assembling or adjusting the equipment, switch off the motor and remove the battery cartridge. Otherwise, the machine may start unintentionally and result in an injury.

**⚠ WARNING:** When assembling or adjusting the equipment, always put it down. Assembling or adjusting the equipment in an upright position may result in serious injury.

**⚠ WARNING:** Follow the warnings and precautions in the chapter "SAFETY WARNINGS" and the instruction manual of the power unit.

### Assembling the attachment

1. Remove the cap from the attachment.

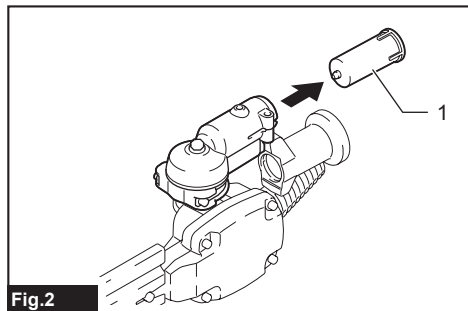


Fig.2

- 1. Cap

2. Insert the pipe into the attachment so that the hole on the pipe is aligned with the hole on the attachment. Securely tighten the short bolt first, and then tighten the long bolt to fix the pipe.

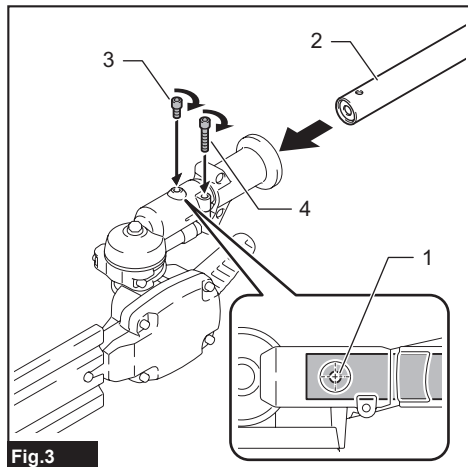


Fig.3

- 1. Hole 2. Pipe 3. Bolt (short) 4. Bolt (long)

**NOTE:** When tightening the bolts, apply 4.0 - 6.0 N•m as tightening torque.

### Mounting the attachment pipe

**⚠ CAUTION:** Always check that the attachment pipe is secured after installation. Improper installation may cause the attachment falling off from the power unit and cause personal injury.

Mount the attachment pipe to the power unit.

1. Remove the cap from the end of the pipe.

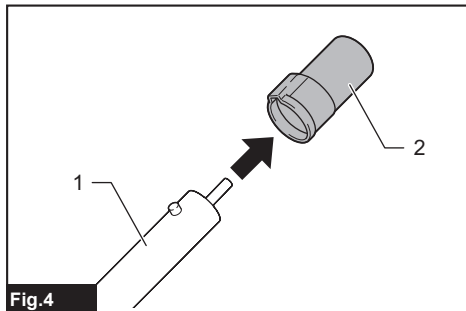


Fig.4

- 1. Pipe 2. Cap

**NOTICE:** Do not dispose of the cap since the cap is necessary for storing the attachment.

2. Turn the lever toward the attachment.

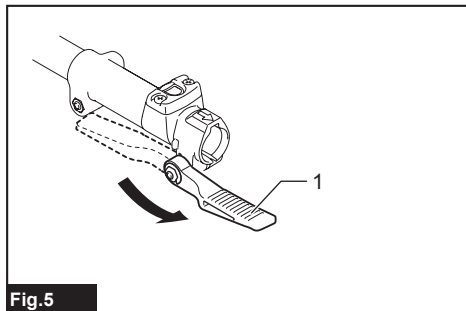


Fig.5

- 1. Lever

- Align the pin with the arrow mark on the power unit. Insert the pipe until the release button pops up.

Make sure that the position line is on the tip of the arrow mark on the power unit, and the arrow mark on the power unit and the arrow mark on the pipe are facing each other.

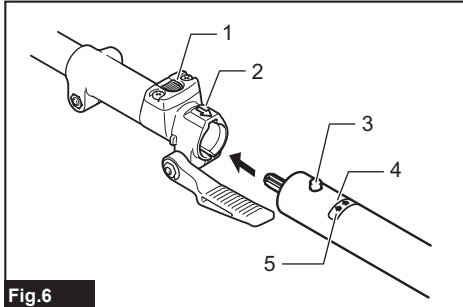


Fig.6

- Release button
- Arrow mark on the power unit
- Pin
- Position line
- Arrow mark on the pipe

- Turn the lever toward the power unit.

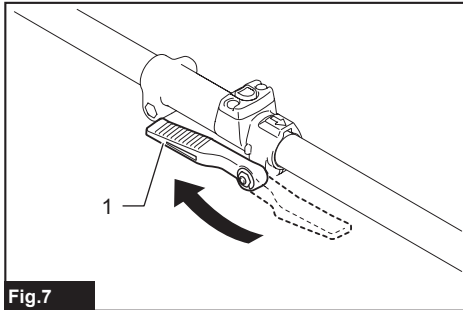


Fig.7

- Lever

Make sure that the surface of the lever is parallel to the pipe.

**NOTICE:** Do not tighten the lever without the attachment pipe inserted. Otherwise the lever may tighten the entrance of the drive shaft too much and damage it.

To remove the pipe, turn the lever toward the attachment and pull the pipe out while pressing down the release button.

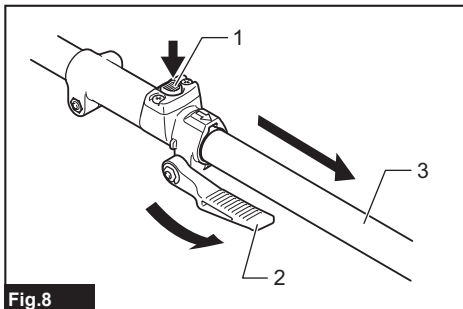


Fig.8

- Release button
- Lever
- Pipe

## Installing or removing the shear blades

**CAUTION:** When replacing the shear blades, always wear gloves so that your hands do not directly contact the blades.

**CAUTION:** Attach the blade cover before removing or installing the shear blades.

**NOTICE:** When replacing the shear blades, do not wipe off grease from the crank.

**NOTE:** Before installing or removing the shear blades, unfold the attachment so that the attachment is straight to the pipe.

- Attach the blade cover to the shear blades.

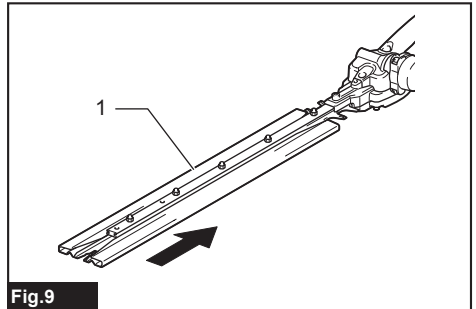


Fig.9

- Blade cover

- Place the attachment upside down.

- Remove 4 bolts with the hex wrench and remove cover and plate (large).

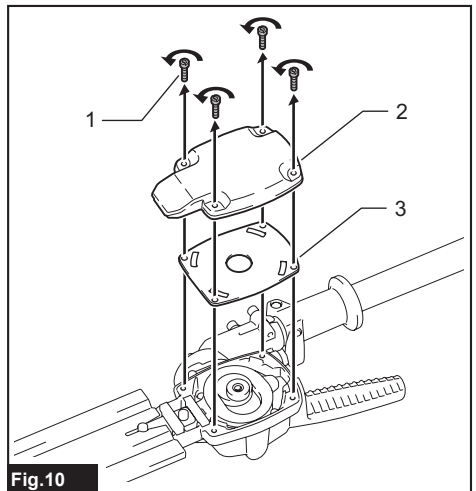
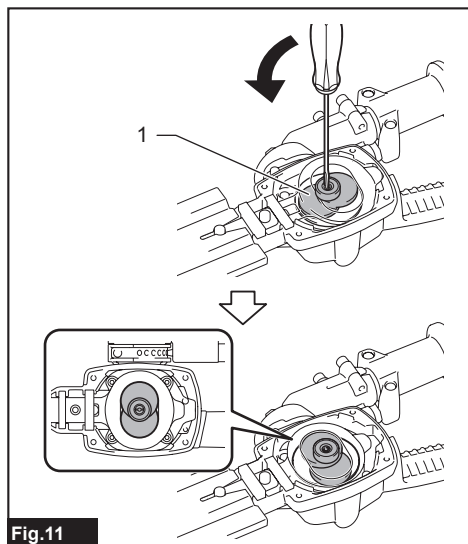


Fig.10

- Bolt
- Cover
- Plate (large)

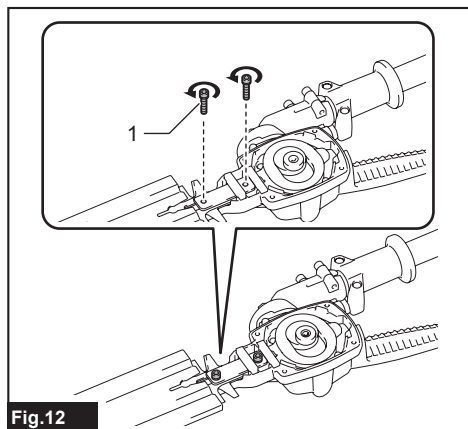
4. Turn the crank with the slotted screwdriver so that the crank is positioned in the direction as shown in the figure.



**Fig.11**

- 1. Crank

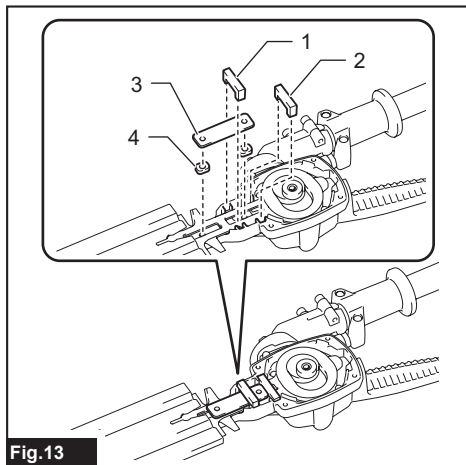
5. Remove 2 bolts.



**Fig.12**

- 1. Bolt

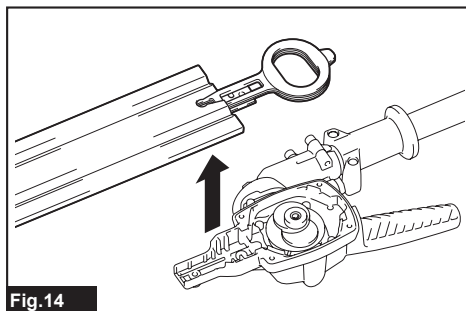
6. Remove the felt pad (short), felt pad (long), plate (small), and sleeves.



**Fig.13**

- 1. Felt pad (short) 2. Felt pad (long) 3. Plate (small)  
4. Sleeve

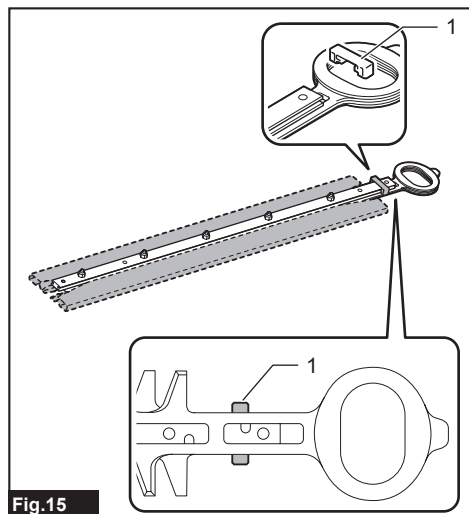
7. Remove the shear blades from the attachment.



**Fig.14**

8. Remove the blade cover, and then attach it to the new shear blades.

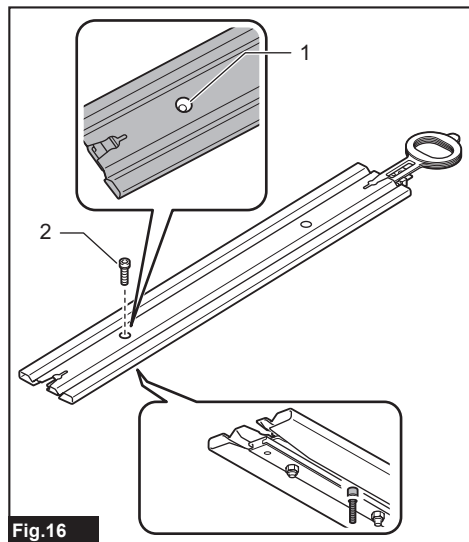
9. Remove the dust guard from the shear blades, and then attach it in the position shown in the figure on the new shear blades.



**Fig.15**

- 1. Dust guard

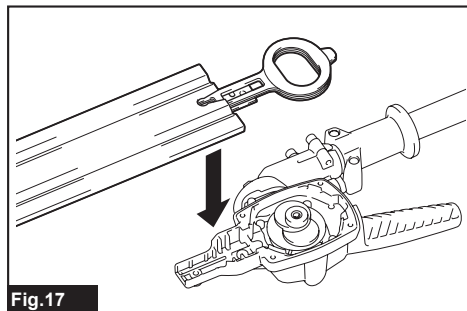
10. Insert the bolt removed in step 5 into the hole on the shear blades through the hole on the blade cover.



**Fig.16**

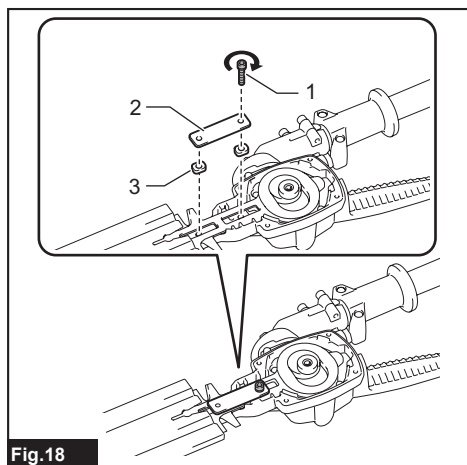
- 1. Hole 2. Bolt

11. Apply a small amount of grease to the periphery of the crank. Attach the shear blades to the attachment.



**Fig.17**

12. Attach the sleeves, plate (small) to the shear blades, and then tighten the bolt.



**Fig.18**

- 1. Bolt 2. Plate (small) 3. Sleeve

13. Remove the bolt inserted into the hole on the shear blades in step 10, and then tighten it to fix the shear blades.



14. Attach the felt pad (short) and felt pad (long).

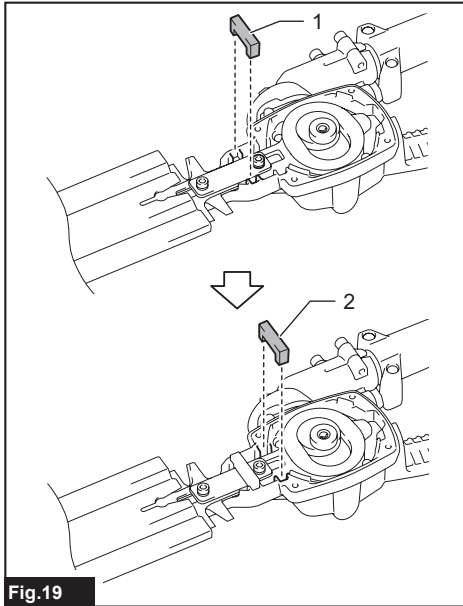


Fig.19

- 1. Felt pad (short) 2. Felt pad (long)

15. Attach the plate (large) and cover, and then tighten 4 bolts.

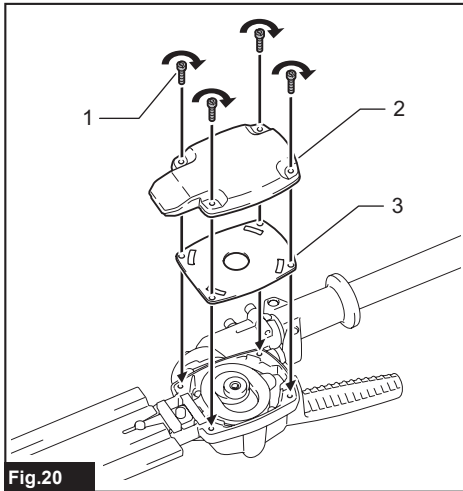


Fig.20

- 1. Bolt 2. Cover 3. Plate (large)

**NOTICE:** If the shear blades do not operate properly, the blades are not engaging the crank properly. Remove the blades and install them again.

**NOTICE:** If the parts other than the shear blades such as the crank are worn out, ask Makita Authorized Service Centers for parts replacement or repairs.

## FUNCTIONAL DESCRIPTION

**CAUTION:** Always be sure that the tool is switched off and the battery cartridge is removed before adjusting or checking function on the tool.

### Adjusting the cutting angle

**CAUTION:** Always be sure that the tool is switched off before adjusting the cutting angle.

The angle of the head can be adjusted in 13 steps. To change the angle of the head, follow the steps below.

1. Hold the angle adjustment handle, and then adjust the angle of the head while pulling the slide lever, and then release the slide lever.

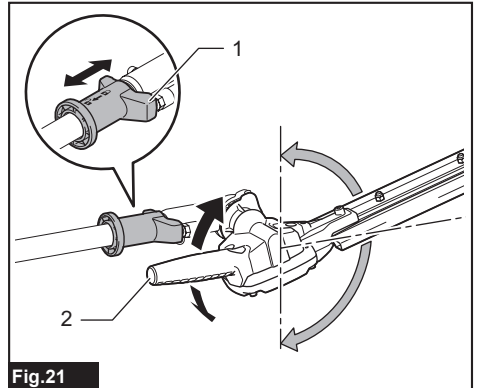


Fig.21

- 1. Slide lever 2. Angle adjustment handle
2. Move the head slightly until it is locked with a click.

**NOTE:** Make sure that the head is securely locked before operating the tool.

## OPERATION

**WARNING:** Follow the warnings and precautions in the chapter "SAFETY WARNINGS" and the instruction manual of the power unit.

### Operating the tool

**WARNING:** Do not use the tool near any electrical power lines. Contacting with power lines or using the tool near power lines may cause serious injury or electric shock resulting in death.

**WARNING:** Keep hands away from shear blades.

**WARNING:** Be extremely careful to maintain control of the tool at all times. Do not allow the tool to be deflected toward you or anyone in the work vicinity. Failure to keep control of the tool could result in serious injury to the bystander and the operator.

**CAUTION:** Avoid operating the tool in very hot weather as much as practicable. When operating the tool, be careful of your physical condition.

**CAUTION:** Be careful not to accidentally contact a metal fence or other hard objects while trimming. The shear blades may break and cause an injury.

**CAUTION:** Be careful not to allow the shear blades to contact the ground. The tool may recoil and cause an injury.

**CAUTION:** Overreaching with a hedge trimmer, particularly from a ladder, is extremely dangerous. Do not work while standing on anything wobbly or infirm.

**NOTICE:** Do not attempt to cut branches thicker than 10 mm (3/8") in diameter with the tool. Cut branches to 10 cm (4") lower than the cutting height using branch cutters before using the tool.

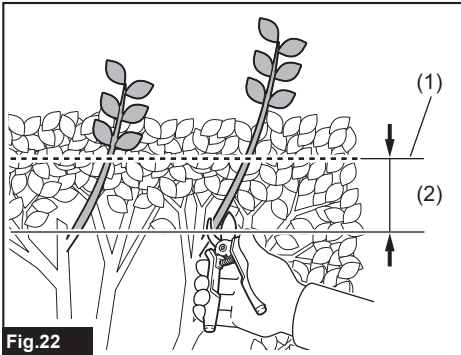


Fig.22

► (1) Cutting height (2) 10 cm (4")

**NOTICE:** Do not cut down dead trees or similar hard objects. Doing so may damage the tool.

**NOTICE:** Do not trim the grass or weeds while using the shear blades. The shear blades may become tangled in the grass or weeds.

Hold the tool with both hands by holding the front handle of the power unit or the front grip of the attachment and the rear grip of the power unit.

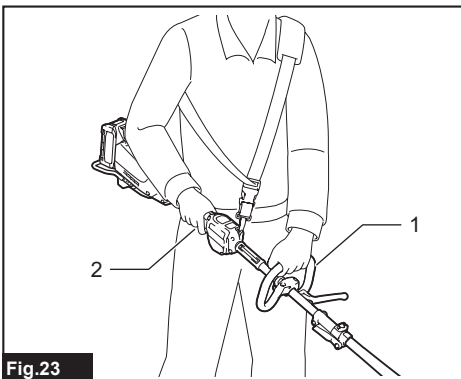


Fig.23

► 1. Front handle 2. Rear grip

Pull the switch trigger while pressing the lock-off lever, and then move the tool forward.

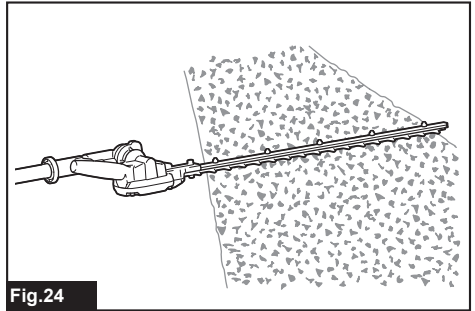


Fig.24

For basic operation, tilt the shear blades toward the trimming direction and move it calmly and slowly at the speed rate of 3 to 4 seconds per meter.

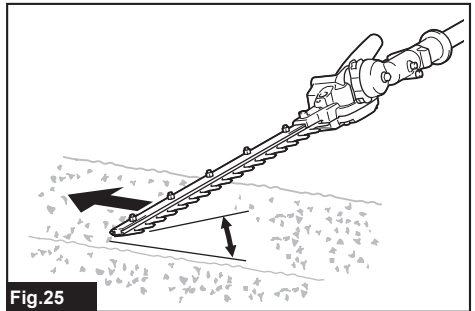


Fig.25

To cut a hedge side evenly, cut from the bottom to top.

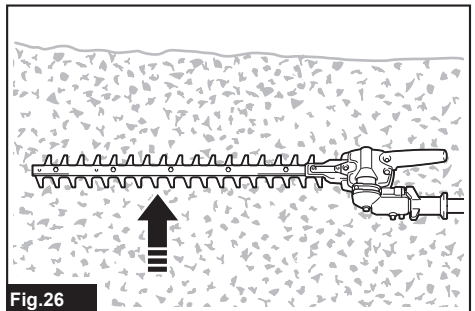
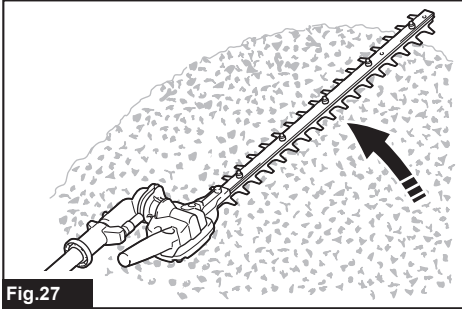


Fig.26

When trimming to make a round shape (trimming boxwood or rhododendron, etc.), trim from the root to the top for a beautiful finish.



## MAINTENANCE

**⚠ WARNING:** Before inspecting or maintaining the equipment, switch off the motor and remove the battery cartridge. Otherwise, the machine may start unintentionally and result in serious injury.

**⚠ WARNING:** When inspecting or maintaining the equipment, always put it down. Assembling or adjusting the equipment in an upright position may result in serious injury.

**⚠ WARNING:** Follow the warnings and precautions in the chapter "SAFETY WARNINGS" and the instruction manual of the power unit.

**⚠ CAUTION:** Wear gloves when performing the inspection or maintenance.

**NOTICE:** Never use gasoline, benzine, thinner, alcohol or the like. Discoloration, deformation or cracks may result.

To maintain product SAFETY and RELIABILITY, repairs, any other maintenance or adjustment should be performed by Makita Authorized or Factory Service Centers, always using Makita replacement parts.

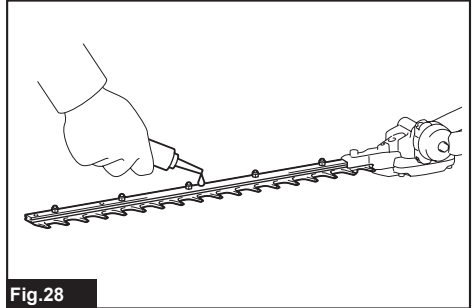
### Cleaning the tool

Clean the tool by wiping off dust with a dry cloth or one dipped in soapy water and wrung out.

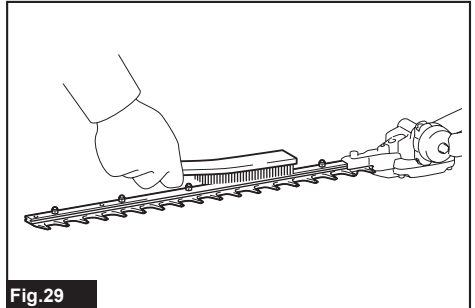
**NOTICE:** Never use gasoline, benzine, thinner, alcohol or the like. Discoloration, deformation or cracks may result.

### Shear blade maintenance

Before the operation or once per hour during operation, apply low-viscosity oil (machine oil, or spray-type lubricating oil) to the shear blades.



After operation, remove dust from both sides of the shear blades with a wired brush, wipe it off with a cloth and then apply low-viscosity oil (machine oil, or spray-type lubricating oil) to the shear blades.

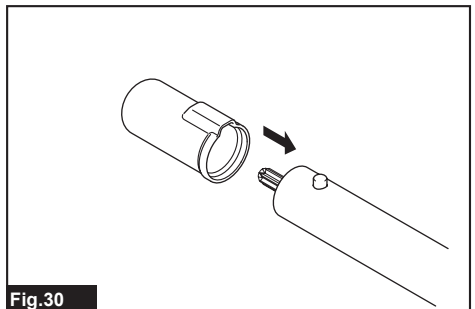


**NOTICE:** Do not wash the shear blades in water. Doing so may cause rust or damage to the tool.

**NOTICE:** Dirt and corrosion cause excessive blade friction and shorten the operating time per battery charge.

### Storage

Attach the blade cover to the shear blades so that the blades are not exposed. Store the tool out of the reach of children. Store the tool in a place not exposed to moisture or rain. When storing the attachment separated from the power unit, put the cap onto the end of the pipe.



## Lubricating moving parts

**NOTICE:** Follow the instruction of the frequency and amount of grease supplied. Otherwise insufficient lubrication may damage moving parts.

### Drive axle:

Apply grease (Makita grease N No.2 or equivalent) every 30 hours of operation.

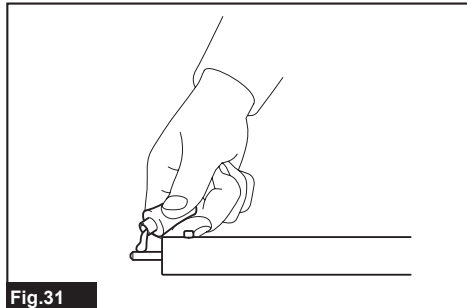


Fig.31

**NOTE:** Genuine Makita grease may be purchased from your local Makita dealer.

## Grease lubrication

**Interval of lubrication:** Every 25 operating hours

1. Remove the bolt from the hole for lubrication.

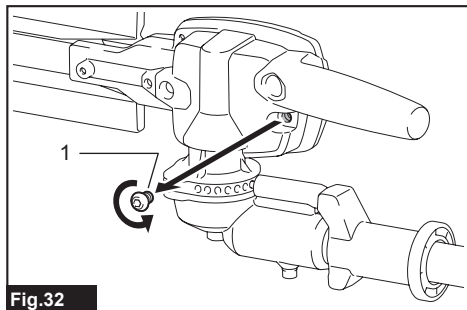


Fig.32

- ▶ 1. Bolt

2. Remove the cap from the grease vessel. Align the outlet of the grease vessel with the hole on the cover, and then turn the grease vessel to attach the outlet of the grease vessel into the hole.

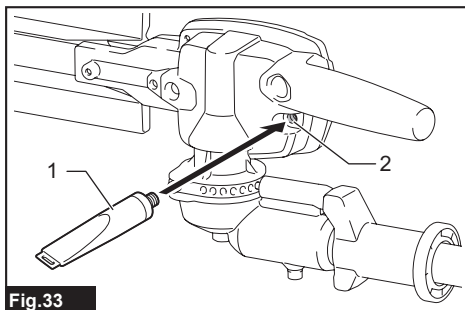


Fig.33

- ▶ 1. Grease vessel 2. Hole
3. Apply the grease to the tool (Approximately 3 g (0.1 oz) as a guide).
4. Remove the grease vessel.
5. Tighten the bolt.

## Grinding the shear blades

**NOTICE:** If the shear blades have considerably deformed by grinding, replace the shear blades with new ones.

1. Install the battery cartridge to the tool.
2. Turn on and start the tool so that the upper blade and lower blade are positioned alternately.

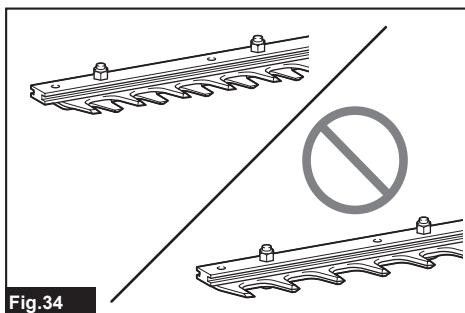


Fig.34

3. Turn off the tool and remove the battery cartridge from the tool.

4. Set the angle of a file to 45°, and grind the upper blade from 3 directions with the file.

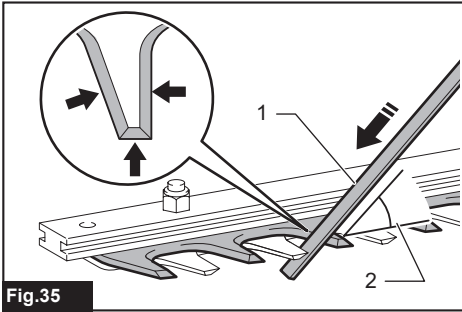


Fig.35

- (1) File (2) 45°

**CAUTION:** Before grinding the shear blades, make sure that the tool is switched off and the battery cartridge is removed from the tool.

5. Place the tool upside down, and then remove the burrs from the shear blades with the dressing stone.

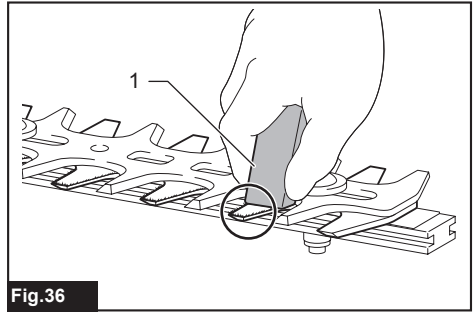


Fig.36

- 1. Dressing stone

6. Set the angle of the file to 45°, and grind the lower blade from 3 directions with the file.

7. Return the tool to normal position, and then remove the burrs from the shear blades with the dressing stone.

## TROUBLESHOOTING

Before asking for repairs, conduct your own inspection first. If you find a problem that is not explained in the manual, do not attempt to dismantle the tool. Instead, ask Makita Authorized Service Centers, always using Makita replacement parts for repairs.

| State of abnormality   | Probable cause (malfunction)                         | Remedy  |
|--|--|---|
| Motor does not start.  | -  | Refer to the instruction manual of the power unit.  |
| Motor stops soon.  | -  | Refer to the instruction manual of the power unit.  |
| Motor speed does not increase.   | -  | Refer to the instruction manual of the power unit.  |
| Shear blades do not move:<br>⇒ stop the machine immediately!             | Foreign objects are caught between the shear blades. | Switch off the tool and remove the battery cartridge, and then remove the foreign objects using tools such as pliers. |
|  | The drive system does not work correctly.            | Ask your local authorized service center for repair.  |
| Abnormal vibration:<br>⇒ stop the machine immediately!                   | Shear blades are broken, bent or worn.               | Replace the shear blades.   |
|  | The drive system does not work correctly.            | Ask your local authorized service center for repair.  |
| Shear blades and motor cannot stop:<br>⇒ Remove the battery immediately! | Electric malfunction.                                | Remove the battery and ask your local authorized service center for repair.   |

## OPTIONAL ACCESSORIES

**CAUTION:** These accessories or attachments are recommended for use with your Makita machine specified in this manual. The use of any other accessories or attachments might present a risk of injury to persons. Only use accessory or attachment for its stated purpose.

If you need any assistance for more details regarding these accessories, ask your local Makita Service Center.

- Shear blade assembly
- Grease vessel
- Makita genuine battery and charger

**NOTE:** Some items in the list may be included in the product package as standard accessories. They may differ from country to country.

## SPÉCIFICATIONS

|                  |                  |
|------------------|------------------|
| Modèle :         | EN402MP          |
| Longueur de lame | 500 mm (19-3/4") |
| Longueur totale  | 1444 mm (57")    |
| Poids net        | 2,4 kg (5,3 lbs) |

- Étant donné l'évolution constante de notre programme de recherche et de développement, les spécifications contenues dans ce manuel sont sujettes à modification sans préavis.
- Les spécifications peuvent varier suivant les pays.

### Unité d'alimentation approuvée

Cette fixation est approuvée uniquement pour l'utilisation avec les unités d'alimentation suivantes :

- Moteur multi-fonctions sans fil DUX60
- Moteur multi-fonctions sans fil XUX01
- Moteur multi-fonctions sans fil DUX18
- Moteur multi-fonctions sans fil XUX02
- Moteur multi-fonctions sans fil UX01G
- Moteur multi-fonctions sans fil GUX01

**⚠ MISE EN GARDE : N'utilisez jamais la fixation avec une unité d'alimentation non approuvée. Une combinaison non approuvée peut entraîner une grave blessure.**

### Symboles

Les symboles qui peuvent être utilisés pour l'équipement sont indiqués ci-dessous. Vous devez avoir compris leur signification avant l'utilisation.



Veillez lire le mode d'emploi et en respecter les instructions.



DANGER - Gardez les mains à l'écart de la lame.



Prenez garde aux lignes électriques. Il y a risque de décharge électrique.



Portez un casque de sécurité et des protecteurs pour les yeux et les oreilles.



Portez des gants de protection.



Portez des bottes robustes à semelles antidérapantes.



Ne laissez pas les curieux et les animaux approcher à moins de 15 m (50 ft) de l'outil électrique.



Ne laissez pénétrer personne, ni aucun animal domestique, dans la zone de travail.



Niveau de puissance acoustique garanti conformément à la directive sur le bruit extérieur de l'UE.



Niveau de puissance acoustique conforme au règlement de contrôle du bruit NSW de l'Australie.

## CONSIGNES DE SÉCURITÉ

### Consignes de sécurité pour taille haie sur perche sans fil

1. **Gardez toutes les parties de votre corps à l'écart de la lame. Pendant que les lames sont en mouvement, évitez de retirer le matériau coupé ou de tenir le matériau à couper.** Les lames continuent de bouger une fois l'interrupteur en position d'arrêt. Tout moment d'inattention pendant l'utilisation du taille-haie peut entraîner une grave blessure.
2. **Transportez le taille-haie par la poignée alors que la lame est arrêtée et prenez soin de ne pas actionner l'interrupteur.** Si vous transportez correctement le taille-haie, cela diminuera le risque d'un démarrage inopportun et les blessures corporelles conséquentes pouvant être causées par les lames.
3. **Avant de transporter ou de ranger le taille-haie, mettez toujours en place le couvre-lames.** La manipulation adéquate du taille-haie réduira le risque de blessure au contact des lames.
4. **Lorsque vous retirez une matière coincée ou procédez à un entretien, assurez-vous que tous les interrupteurs sont en position d'arrêt et que la batterie est retirée ou déconnectée.** L'actionnement inopportun du taille-haie lors du retrait d'une matière coincée ou de l'entretien peut entraîner des blessures corporelles graves.

5. **Ne tenez le taille-haie que par ses surfaces de prises isolées, car la lame peut toucher un câblage dissimulé.** Au contact d'un fil sous tension, les lames peuvent mettre sous tension les pièces métalliques découvertes du taille-haie et transmettre une décharge électrique à l'utilisateur.
6. **Gardez tous les cordons d'alimentation et câbles à l'écart de la zone de coupe.** Les cordons d'alimentation ou les câbles pourraient être cachés dans les haies ou les buissons et pourraient être accidentellement coupés par la lame.
7. **N'utilisez pas le taille-haie sous de mauvaises conditions météo, et tout spécialement lorsqu'il y a un risque de foudre.** Cela réduit le risque d'être frappé par la foudre.
8. **Pour réduire le risque d'électrocution, n'utilisez jamais de taille-haie sur perche près des lignes électriques.** Le contact avec des lignes électriques ou l'utilisation près de celles-ci peut causer des blessures graves ou une décharge électrique pouvant entraîner la mort.
9. **Utilisez toujours vos deux mains pour faire fonctionner le taille-haie sur perche.** Tenez le taille-haie sur perche à deux mains pour éviter d'en perdre le contrôle.
10. **Portez toujours un casque de sécurité lorsque vous utilisez le taille-haie sur perche au-dessus de votre tête.** La chute de débris peut entraîner de graves blessures.
9. **Avant de commencer le travail, assurez-vous que le taille-haie est sécuritaire et en bon état de marche. Assurez-vous que les gardes sont bien installés. Le taille-haie ne doit être utilisé qu'une fois complètement assemblé.**
10. **Évitez les environnements dangereux. N'utilisez pas l'outil dans les endroits humides ou mouillés, et ne l'exposez pas à la pluie. L'infiltration d'eau dans l'outil accroît le risque de décharge électrique.**

#### Équipement de protection individuelle

1. Les gants de travail en cuir résistant font partie de l'équipement de base du taille-haie et doivent toujours être portés pendant son utilisation. Portez également des chaussures robustes à semelle antidérapante.
2. Portez une protection d'oreilles telle qu'un protège-oreilles pour prévenir les lésions de l'ouïe.
3. Portez des lunettes à coques, un casque de sécurité et des gants protecteurs pour vous protéger contre les projections de débris ou la chute d'objets.
4. Pour toucher les lames ou pour ajuster l'angle d'une lame, portez des gants de protection. Les lames peuvent couper sévèrement les mains nues.

#### Utilisation

1. **Utilisez toujours deux mains pour opérer l'outil.** Si vous utilisez une main, cela pourrait causer une perte de contrôle et entraîner des blessures corporelles graves.
2. Lorsque vous utilisez l'outil, assurez-vous toujours que la position d'opération est sécuritaire. Il est extrêmement dangereux de trop tendre les bras avec l'outil, et ce tout particulièrement sur une échelle. Ne travaillez pas à partir d'un endroit branlant ou instable.
3. Ne portez pas simultanément plusieurs bretelles de ceinture et/ou sangles d'épaule lorsque vous utilisez l'outil.
4. Pendant l'exécution du travail, ne laissez pas les curieux ou les animaux approcher à moins de 15 m (50 pi) de l'outil. Arrêtez l'outil dès que quelqu'un approche.
5. Si un outil tranchant frappe tout objet ou si l'outil commence à produire un bruit ou une vibration inhabituelle, arrêtez l'outil et retirez la batterie immédiatement, puis laissez-le s'immobiliser. Puis, faites les étapes suivantes :
  - assurez-vous qu'il n'y a pas de dommages
  - s'il y a des pièces mal serrées, resserrez-les
  - faites remplacer ou réparer toute pièce endommagée par des pièces de rechange d'origine.
6. Utilisez l'outil uniquement aux fins pour lesquelles il est conçu. N'utilisez l'outil à aucune autre fin.
7. Éteignez l'outil et retirez la batterie avant de :
  - nettoyer ou retirer un blocage;
  - vérifier, réaliser un entretien ou travailler sur l'outil;

## Consignes de sécurité additionnelles

### Préparation

1. **CE TAILLE-HAIE PEUT CAUSER DES BLESSURES GRAVES.** Lisez les instructions avec soin pour la manipulation, la préparation, l'entretien, le démarrage et l'arrêt adéquats de l'outil. Familiarisez-vous avec toutes les commandes et l'usage adéquat de l'outil.
2. Avant d'utiliser l'outil, assurez-vous qu'il n'y a pas de corps étrangers tels que clôtures grillagées ou câblage dissimulé dans les haies et buissons.
3. **Le taille-haie ne doit pas être utilisé par les enfants ou par les jeunes de moins de 18 ans.** Les jeunes de 16 ans et plus peuvent faire exception à cette restriction s'ils reçoivent une formation sous la supervision d'un expert.
4. **Dans l'éventualité d'une urgence, débranchez l'outil et retirez la batterie immédiatement.**
5. **DANGER - Gardez les mains à l'écart de la lame.** Le contact avec la lame entraînera une grave blessure.
6. **Les nouveaux utilisateurs doivent se faire expliquer l'utilisation de l'outil par un utilisateur expérimenté.**
7. **Avant l'exécution du travail, vérifiez l'absence de clôtures grillagées et de pierres ou autres objets solides dans la zone de travail. Ils peuvent endommager les lames.**
8. **Utilisez le taille-haie seulement si vous êtes en bon état physique.** Si vous êtes fatigué, votre concentration sera moindre. Soyez tout spécialement prudent à la fin de la journée de travail. Effectuez le travail calmement et prudemment. L'utilisateur est responsable de tout dommage encouru par des tiers.

- régler la position de travail des lames de cisaillement;
  - laisser l'outil sans surveillance.
8. Avant de démarrer l'outil, assurez-vous qu'il est dans la position de travail adéquate désignée.
  9. N'utilisez pas l'outil avec des lames de cisaillement endommagées ou trop usées.
  10. Soyez toujours conscient de votre entourage et soyez à l'affût des dangers potentiels dont vous pourriez ne pas être conscient grâce au bruit de l'outil.
  11. Prenez garde de toucher accidentellement une clôture métallique ou autre objet dur pendant l'exécution du travail. En cassant, la lame peut causer une grave blessure.
  12. Évitez le démarrage accidentel. Ne transportez pas l'outil avec la batterie installée et le doigt sur l'interrupteur. Avant d'installer la batterie, assurez-vous que l'interrupteur est en position d'arrêt.
  13. Lorsque vous prenez ou tenez l'outil, ne le saisissez pas par les lames de coupe dénudées ou par les bords tranchants.
  14. Ne forcez pas l'outil. Il fonctionnera mieux et présentera moins de risques de blessure si vous respectez la vitesse de travail pour laquelle il a été conçu.
  15. N'utilisez pas l'outil sous la pluie ou dans des conditions mouillées ou très humides. Le moteur électrique n'est pas imperméable à l'eau.
  16. Tenez l'outil fermement pendant l'utilisation.
  17. Ne faites pas inutilement tourner l'outil à vide.
  18. Avant de vérifier les lames de cisaillement, d'en faire l'entretien ou d'enlever des corps étrangers coincés, éteignez toujours l'outil et retirez la batterie.
  19. Ne pointez jamais les lames de cisaillement vers vous-même ou d'autres personnes.
  20. Si les lames cessent de bouger en raison de la présence de corps étrangers entre les lames pendant l'utilisation, éteignez l'outil et retirez la batterie, puis enlevez les corps étrangers à l'aide d'une pince ou autre outil. En retirant les corps étrangers avec la main, vous risquez de vous blesser car les lames peuvent bouger lors du retrait des corps étrangers.
  21. Lors de la pose ou du retrait du couvre-lames, prenez soin de ne pas vous blesser les mains.

#### Consignes de sécurité concernant l'électricité et la batterie

1. Évitez les environnements dangereux. N'utilisez pas l'outil dans les endroits humides ou mouillés et ne l'exposez pas à la pluie. L'infiltration d'eau dans l'outil accroît le risque de décharge électrique.
2. Ne jetez pas la/les batterie(s) au feu. L'élément pourrait exploser. Vérifiez la réglementation locale pour savoir s'il existe des directives particulières sur l'élimination.
3. N'ouvrez pas et n'endommagez pas la/les batterie(s). L'électrolyte qui s'échappe est corrosif et peut provoquer des dommages aux yeux ou à la peau. Il peut être toxique s'il est ingéré.

4. Ne chargez pas la batterie sous la pluie ou dans les emplacements humides.
5. Ne chargez pas la batterie à l'extérieur.
6. Ne manipulez pas le chargeur, y compris sa fiche et ses bornes, avec les mains mouillées.

#### Entretien et remisage

1. Lorsque l'outil est arrêté pour un entretien, une inspection ou le remisage, mettez-le à l'arrêt et retirez la batterie, puis assurez-vous que toutes les pièces mobiles se sont arrêtées. Laissez l'outil se refroidir avant de procéder à toute inspection, tout réglage, etc.
2. Laissez toujours refroidir l'outil avant de le remiser.
3. Lorsque vous n'utilisez pas l'outil, fixez-y le couvre-lames et rangez l'outil à l'intérieur, dans un emplacement sec, élevé, verrouillé et hors de portée des enfants.
4. Entretenez soigneusement l'outil. Gardez les bords tranchants affûtés et propres pour un rendement optimal et pour réduire les risques de blessure. Suivez les instructions concernant le graissage et le remplacement des accessoires. Gardez les poignées de l'outil sèches, propres et sans traces d'huile ou de graisse.
5. Vérifiez s'il y a des pièces endommagées. Avant de réutiliser l'outil, vérifiez soigneusement toute pièce endommagée afin de vous assurer qu'elle fonctionne correctement et qu'elle remplit sa fonction prévue. Vérifiez que les pièces mobiles sont bien alignées et qu'elles ne sont pas coincées, qu'il n'y a pas de pièces cassées ou mal montées, et toute autre condition pouvant affecter le bon fonctionnement. Toute pièce endommagée (protecteur, etc.) doit être correctement réparée ou remplacée par un centre de service après-vente agréé.
6. Utilisez toujours exclusivement des pièces de rechange d'origine.
7. Lorsque vous déplacez l'outil vers un autre emplacement, y compris pendant l'exécution du travail, retirez toujours la batterie et mettez le couvre-lames sur les lames de cisaillement. Ne transportez ou déplacez jamais l'outil pendant que les lames tournent. Ne saisissez jamais les lames avec les mains.
8. Nettoyez l'outil et tout spécialement les lames de cisaillement après l'utilisation, ainsi qu'avant de ranger l'outil pour une période prolongée. Huilez légèrement les lames de cisaillement et mettez le couvre-lames.
9. Ne jetez pas la/les batterie(s) au feu. L'élément pourrait exploser. Vérifiez la réglementation locale pour savoir s'il existe des directives particulières sur l'élimination.
10. N'ouvrez pas et n'endommagez pas la/les batterie(s). L'électrolyte qui s'échappe est corrosif et peut provoquer des dommages aux yeux ou à la peau. Il peut être toxique s'il est ingéré.
11. Ne chargez pas la batterie sous la pluie ou dans les emplacements humides.

## CONSERVEZ CES INSTRUCTIONS.

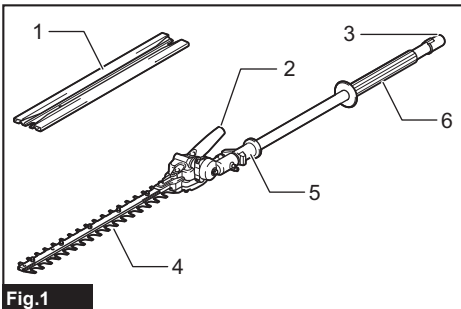


**⚠ MISE EN GARDE** : NE vous laissez PAS tromper (au fil d'une utilisation répétée) par un sentiment d'aisance ou de familiarité avec le produit en négligeant les consignes de sécurité qui accompagnent le produit. UNE UTILISATION INCORRECTE ou le non-respect des règles de sécurité énoncées dans le présent manuel d'instructions peut provoquer des blessures graves.

**⚠ MISE EN GARDE** : L'utilisation de ce produit peut générer des poussières contenant des substances chimiques, lesquelles peuvent causer des problèmes respiratoires ou autres maladies. Parmi ces substances chimiques figurent les composés que l'on retrouve dans les pesticides, insecticides, fertilisants et herbicides.

Les risques liés à l'exposition varient suivant la fréquence d'exécution du type de travail en question. Pour réduire votre exposition à ces substances chimiques : travaillez dans un emplacement bien aéré et avec des dispositifs de sécurité approuvés, tels que les masques antipoussières spécialement conçus pour filtrer les particules microscopiques.

## DESCRIPTION DES PIÈCES



**Fig.1**  
▶ 1. Couvercle-lames 2. Poignée de réglage de l'angle  
3. Capuchon 4. Lames de cisaillement 5. Levier coulissant 6. Poignée avant

## ASSEMBLAGE

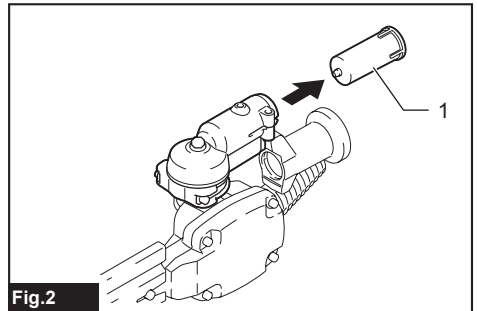
**⚠ MISE EN GARDE** : Avant d'assembler ou de régler l'équipement, coupez le moteur et retirez la batterie. Dans le cas contraire, la machine pourrait démarrer accidentellement et entraîner des blessures.

**⚠ MISE EN GARDE** : Déposez toujours l'équipement avant de l'assembler ou de le régler. Assembler ou régler l'équipement en le laissant debout peut entraîner une grave blessure.

**⚠ MISE EN GARDE** : Respectez les mises en garde et prenez les précautions du chapitre « CONSIGNES DE SÉCURITÉ » et du manuel d'instructions de l'unité d'alimentation.

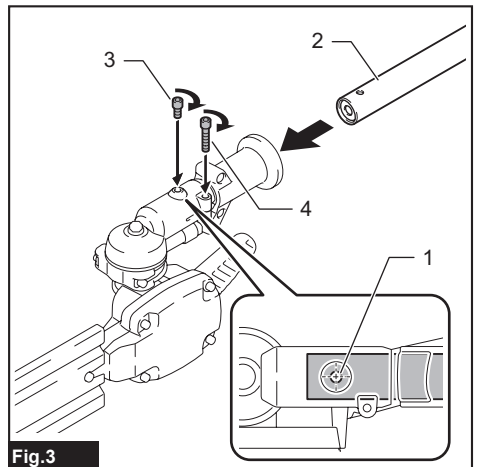
### Assemblage de la tête

1. Retirez le capuchon de la tête.



**Fig.2**  
▶ 1. Capuchon

2. Insérez le tube dans la tête de façon à ce que le trou dans le tube soit aligné avec celui sur la tête. Commencez pas serrer solidement le boulon court, puis serrez le boulon long pour fixer le tube.



**Fig.3**  
▶ 1. Trou 2. Tube 3. Boulon (court) 4. Boulon (long)

**NOTE** : Lorsque vous serrez les boulons, appliquez 4,0 - 6,0 N\*m de couple de serrage.

## Montage du tube de fixation

**ATTENTION :** Après la pose, assurez-vous toujours que le tube de fixation est bien fixé. En cas de pose incorrecte, la fixation risque de se détacher de l'unité d'alimentation et d'entraîner une blessure.

Montez le tube de fixation sur le groupe moteur.

1. Retirez le capuchon, à l'extrémité du tube.

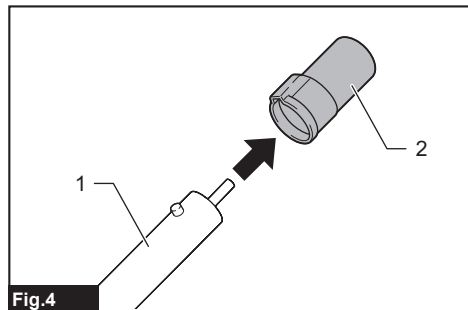


Fig.4

- 1. Tube 2. Capuchon

**AVIS :** Ne jetez pas le capuchon, car il est nécessaire pour remiser l'accessoire.

2. Tournez le levier vers la fixation.

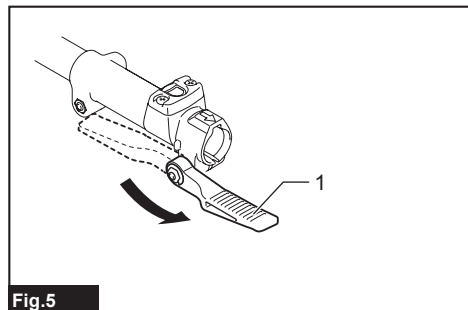


Fig.5

- 1. Levier

3. Alignez la broche sur la marque de flèche de l'unité d'alimentation. Insérez le tube jusqu'à ce que le bouton de libération surgisse.

Assurez-vous que la ligne de positionnement est à l'extrémité de la marque de flèche de l'unité d'alimentation, et que la marque de flèche de l'unité d'alimentation et la marque de flèche du tube sont face à face.

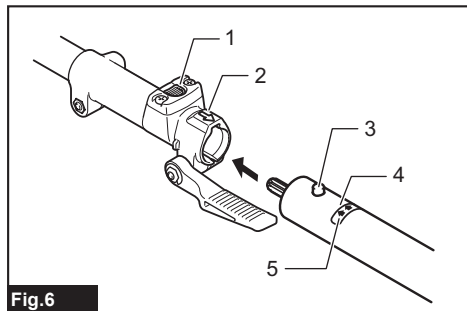


Fig.6

- 1. Bouton de libération 2. Marque de flèche de l'unité d'alimentation 3. Broche 4. Ligne de positionnement 5. Marque de flèche du tube

4. Tournez le levier vers l'unité d'alimentation.

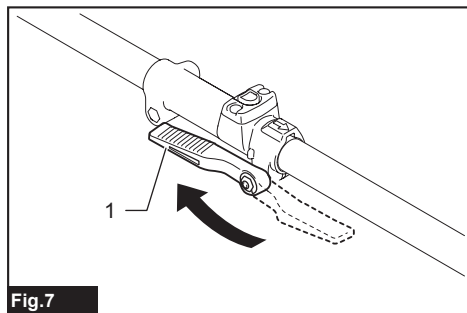


Fig.7

- 1. Levier

Assurez-vous que la surface du levier est parallèle au tube.

**AVIS :** Ne serrez pas le levier sans avoir inséré le tube de fixation. Autrement, le levier risque de trop serrer l'entrée de l'arbre d'entraînement et de l'endommager.

Pour retirer le tube, tournez le levier vers la fixation et tirez sur le tube tout en enfonçant le bouton de libération.

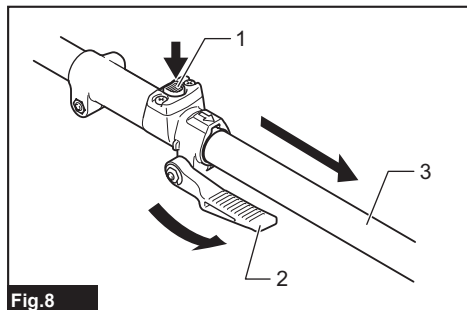


Fig.8

- 1. Bouton de libération 2. Levier 3. Tube

## Pose ou retrait des lames de cisaillement

**⚠ ATTENTION :** Lorsque vous remplacez les lames de cisaillement, portez toujours des gants de sorte que vos mains ne touchent pas directement les lames.

**⚠ ATTENTION :** Fixez le couvre-lames avant de retirer ou de poser les lames de cisaillement.

**AVIS :** Lorsque vous remplacez les lames de cisaillement, n'essayez pas la graisse de la manivelle.

**NOTE :** Avant d'installer ou de retirer les lames de cisaillement, dépliez la tête de sorte qu'elle soit bien droite par rapport au tube.

1. Fixez le couvre-lames aux lames de cisaillement.

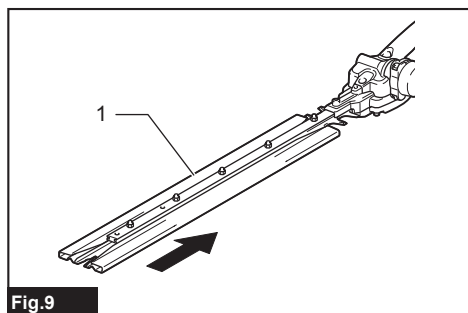


Fig.9

1. Couvre-lames

2. Placez la tête à l'envers.
3. Retirez les 4 boulons à l'aide de la clé hexagonale et retirez le couvercle et la plaque (grande).

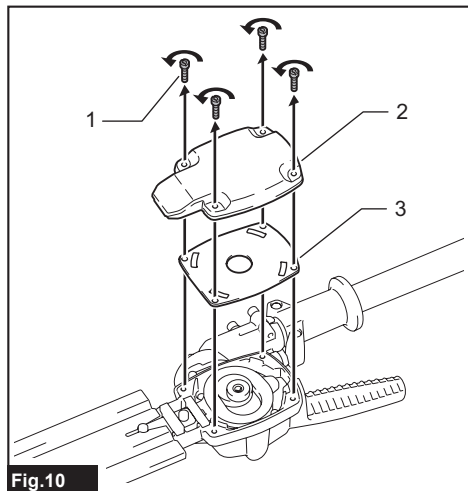


Fig.10

1. Boulon 2. Couvercle 3. Plaque (grande)

4. Tournez la manivelle avec un tournevis pour écrous à fente de manière à ce que la manivelle soit positionnée dans la direction adéquate, comme indiqué dans la figure.

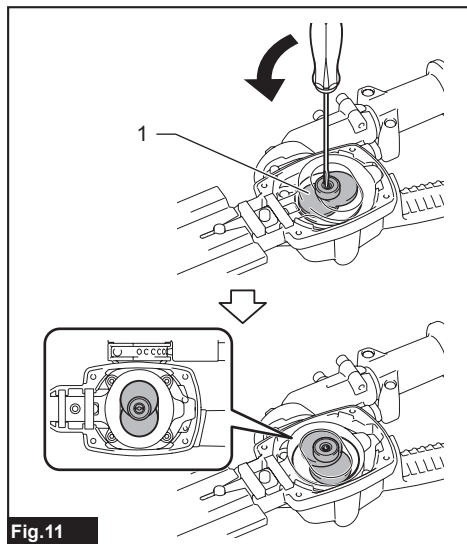


Fig.11

1. Manivelle

5. Retirez les 2 boulons.

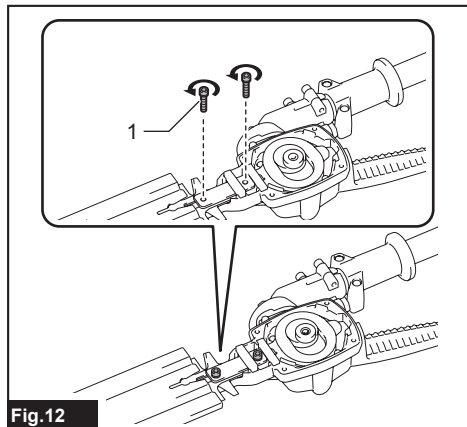


Fig.12

1. Boulon

6. Retirez le coussinet de feutre (court), le coussinet de feutre (long), la plaque (petite) et les manchons.

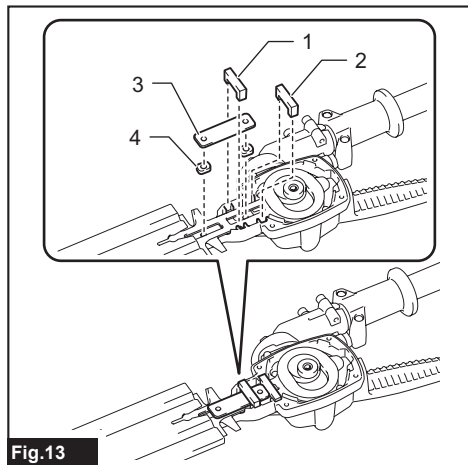


Fig.13

► 1. Coussinet de feutre (court) 2. Coussinet de feutre (long) 3. Plaque (petite) 4. Manchon

7. Retirez les lames de cisaillement de la tête.

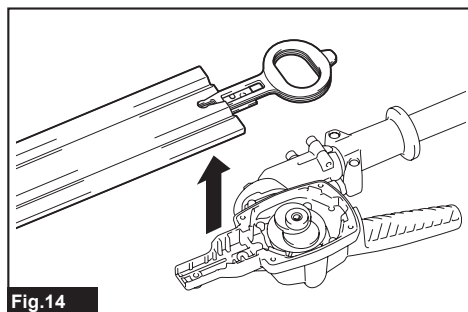


Fig.14

8. Retirez le couvre-lames, puis fixez-le aux nouvelles lames de cisaillement.

9. Retirez le pare-poussière des lames de cisaillement, puis fixez-le dans la position indiquée dans la figure sur les nouvelles lames de cisaillement.

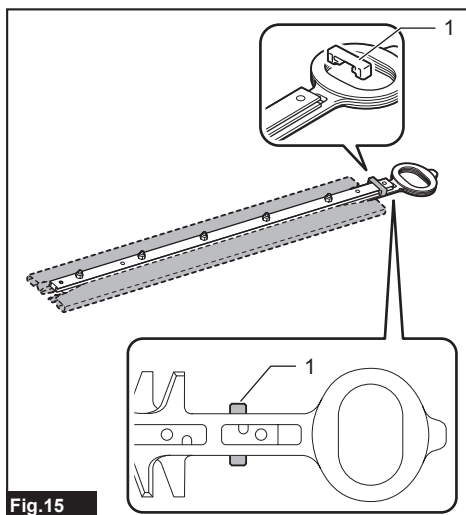


Fig.15

► 1. Pare-poussière

10. Insérez le boulon retiré à l'étape 5 dans le trou sur les lames de cisaillement par le trou dans le couvre-lames.

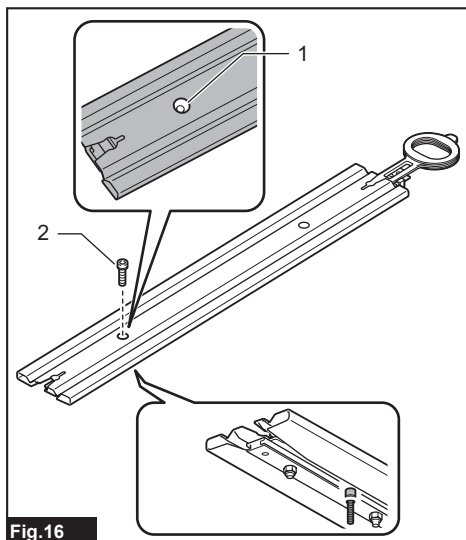


Fig.16

► 1. Trou 2. Boulon

11. Appliquez une petite quantité de graisse sur la bordure de la manivelle. Fixez les lames de cisaillement sur la tête.

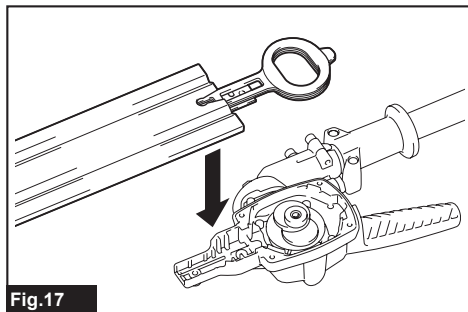


Fig.17

12. Fixez les manchons et la plaque (petite) sur les lames de cisaillement, puis serrez le boulon.

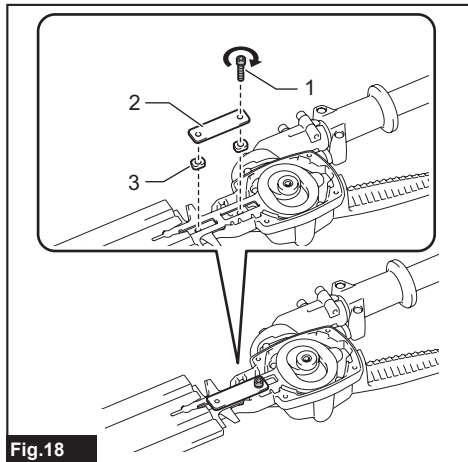


Fig.18

► 1. Boulon 2. Plaque (petite) 3. Manchon

13. Retirez le boulon inséré dans le trou des lames de cisaillement à l'étape 10, puis serrez-le pour fixer les lames de cisaillement.

14. Fixez le coussinet de feutre (court) et le coussinet de feutre (long).

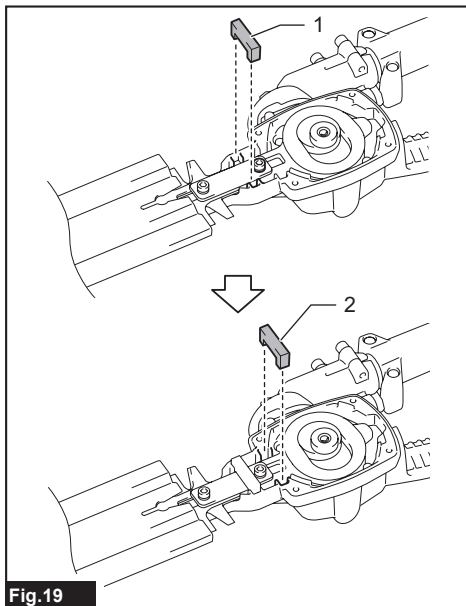


Fig.19

► 1. Coussinet de feutre (court) 2. Coussinet de feutre (long)

15. Fixez la plaque (grande) et le couvercle, puis serrez les 4 boulons.

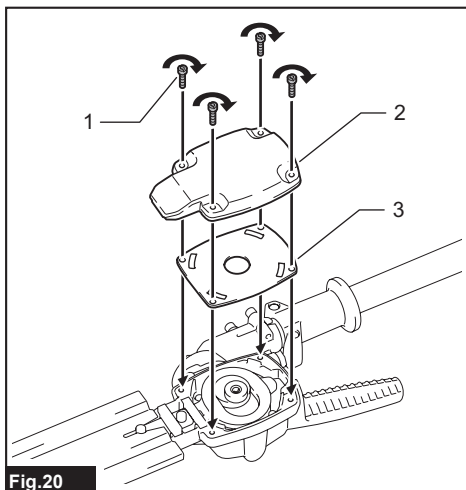


Fig.20

► 1. Boulon 2. Couvercle 3. Plaque (grande)

**AVIS** : Si les lames de cisaillement ne fonctionnent pas bien, c'est qu'elles ne s'engagent pas bien dans la manivelle. Retirez les lames et réinstallez-les.

**AVIS** : En cas d'usure des pièces autres que les lames de cisaillement, telles que la manivelle, demandez à un centre de service après-vente agréé Makita de remplacer ou réparer les pièces.

## DESCRIPTION DU FONCTIONNEMENT

**ATTENTION** : Assurez-vous toujours que l'outil est éteint et que sa batterie est retirée avant de l'ajuster ou de vérifier son fonctionnement.

### Réglage de l'angle de coupe

**ATTENTION** : Avant d'ajuster l'angle de coupe, assurez-vous toujours que l'outil est éteint.

L'angle de la tête peut être réglé sur 13 niveaux. Pour modifier l'angle de la tête, suivez les étapes ci-dessous.

1. Tenez la poignée de réglage de l'angle, puis ajustez l'angle de la tête tout en tirant le levier coulissant et libérez le levier coulissant.

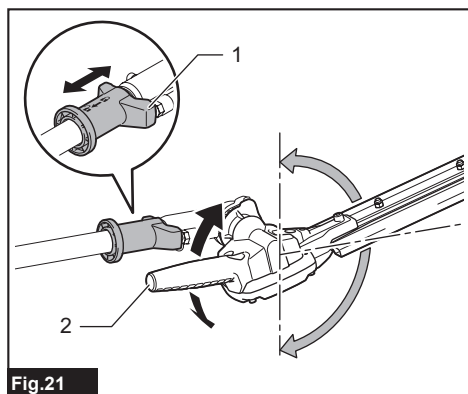


Fig.21

► 1. Levier coulissant 2. Poignée de réglage de l'angle

2. Déplacez légèrement la tête, jusqu'à ce qu'elle se verrouille avec un déclic.

**NOTE** : Assurez-vous que la tête est bien verrouillée avant d'utiliser l'outil.

## UTILISATION

**MISE EN GARDE** : Respectez les mises en garde et prenez les précautions du chapitre « CONSIGNES DE SÉCURITÉ » et du manuel d'instructions de l'unité d'alimentation.

### Utilisation de l'outil

**MISE EN GARDE** : N'utilisez pas l'outil près des lignes électriques. Le contact avec des lignes électriques ou l'utilisation près de celles-ci peut causer des blessures graves ou une décharge électrique pouvant entraîner la mort.

**MISE EN GARDE** : Gardez les mains à l'écart des lames de cisaillement.

**MISE EN GARDE** : Redoublez de prudence pour garder le contrôle de l'outil en tout temps. Ne laissez pas l'outil dévier vers vous ou vers quiconque près de la zone de travail. La perte de contrôle de l'outil peut causer de graves blessures, aussi bien à vous-même qu'aux personnes présentes.

**ATTENTION** : Autant que possible, évitez d'utiliser l'outil par temps très chaud. Lorsque vous utilisez l'outil, soyez attentif à votre condition physique.

**ATTENTION** : Prenez garde de toucher accidentellement une clôture métallique ou autre objet dur en taillant. Les lames de cisaillement risqueraient de se casser et de causer une blessure.

**ATTENTION** : Prenez garde de laisser les lames de cisaillement toucher le sol. L'outil risquerait de faire un bond vers l'arrière et de causer une blessure.

**ATTENTION** : Il est extrêmement dangereux de trop tendre les bras avec un taille-haie, et ce tout particulièrement sur une échelle. Ne montez jamais sur un objet branlant ou fragile pour effectuer le travail.

**AVIS** : N'essayez pas de couper des branches d'un diamètre supérieur à 10 mm (3/8") avec l'outil. Avant d'utiliser l'outil, coupez d'abord les branches 10 cm (4") plus bas que la hauteur de coupe, à l'aide d'un ébrancheur.

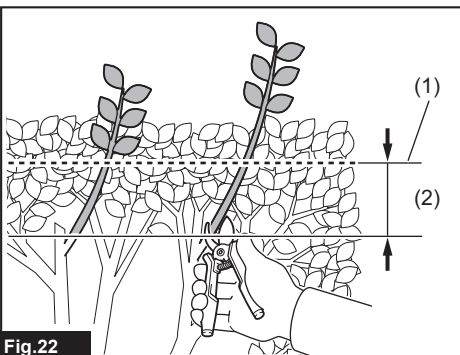


Fig.22

► (1) Hauteur de coupe (2) 10 cm (4")

**AVIS : Ne découpez pas en morceaux les arbres morts et objets similaires.** Cela risquerait d'endommager l'outil.

**AVIS : Ne taillez pas les herbes ou les mauvaises herbes pendant l'utilisation des lames de cisaillement.** Les lames durs de cisaillement risqueraient de s'enchêtrer dans les herbes ou les mauvaises herbes.

Tenez l'outil à deux mains en tenant la poignée avant de l'unité d'alimentation ou la poignée avant de la tête et la poignée arrière de l'unité d'alimentation.

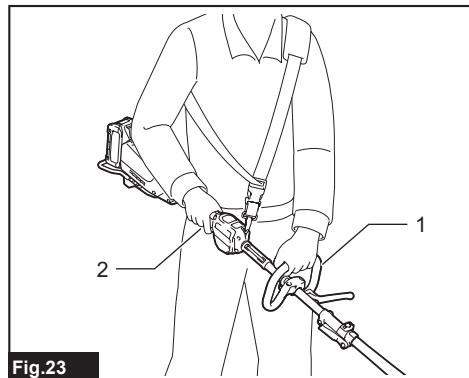


Fig.23

► 1. Poignée avant 2. Poignée arrière

Appuyez sur la gâchette tout en enfonçant le levier de sécurité, puis déplacez l'outil vers l'avant.

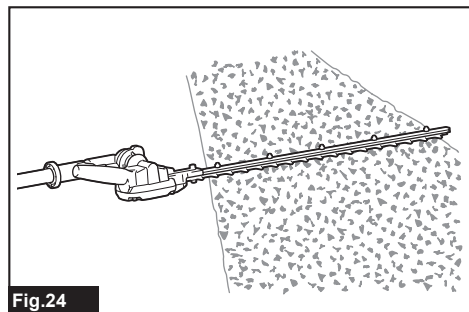


Fig.24

Pour une utilisation de base, inclinez les lames de cisaillement dans le sens de la taille et déplacez l'outil doucement et lentement à une vitesse de 3 à 4 secondes par mètre.

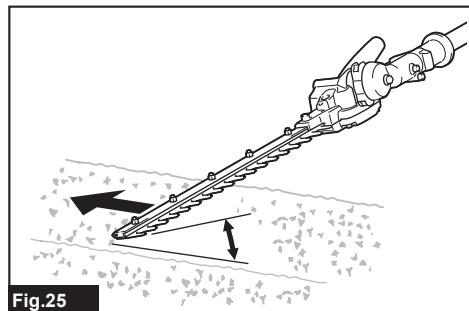


Fig.25

Pour couper le côté de la haie de manière uniforme, coupez du bas vers le haut.

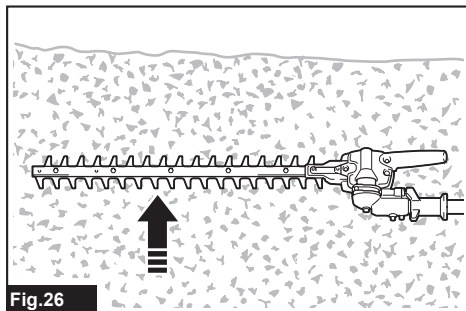


Fig.26

Lorsque vous taillez pour faire une forme ronde (taille d'un buis, d'un rhododendron, etc.), taillez de la racine vers le haut pour obtenir un beau résultat.

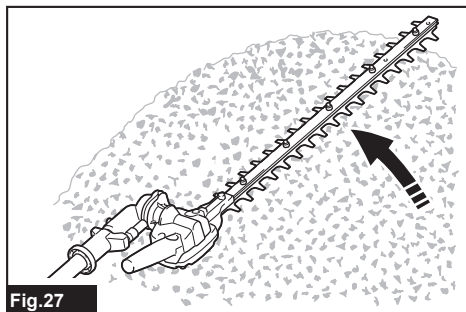


Fig.27

## ENTRETIEN

**⚠ MISE EN GARDE :** Avant de procéder à l'inspection ou à l'entretien de l'équipement, coupez le moteur et retirez la batterie. Dans le cas contraire, la machine pourrait démarrer accidentellement et entraîner des blessures graves.

**⚠ MISE EN GARDE :** Déposez toujours l'équipement avant de procéder à l'inspection ou l'entretien. Assembler ou régler l'équipement en le laissant debout peut entraîner une grave blessure.

**⚠ MISE EN GARDE :** Respectez les mises en garde et prenez les précautions du chapitre « CONSIGNES DE SÉCURITÉ » et du manuel d'instructions de l'unité d'alimentation.

**⚠ ATTENTION :** Portez des gants lorsque vous effectuez l'inspection ou l'entretien.

**AVIS :** N'utilisez jamais d'essence, de benzine, de solvant, d'alcool ou autres produits similaires. Une décoloration, une déformation ou la formation de fissures peuvent en découler.

Pour maintenir la SÉCURITÉ et la FIABILITÉ du produit, les réparations et tout autre travail d'entretien ou de réglage doivent être effectués dans un centre de service après-vente autorisé ou une usine Makita, exclusivement avec des pièces de rechange Makita.

## Nettoyage de l'outil

Nettoyez l'outil en essuyant les poussières avec un linge sec ou trempé dans une eau savonneuse et essoré.

**AVIS : N'utilisez jamais d'essence, de benzine, de solvant, d'alcool ou autres produits similaires. Une décoloration, une déformation ou la formation de fissures peuvent en découler.**

## Entretien de la lame de cisaillement

Avant l'utilisation ou après chaque heure d'utilisation, appliquez une huile à faible viscosité (huile à machine ou huile lubrifiante en vaporisateur) sur les lames de cisaillement.

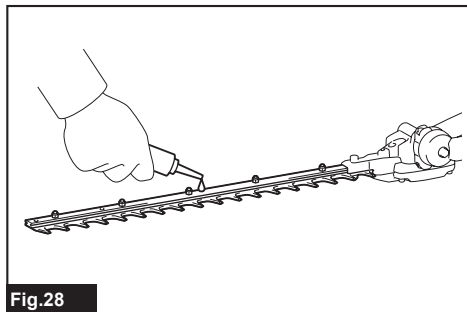


Fig.28

Après l'utilisation, enlevez les poussières des deux côtés des lames de cisaillement avec une brosse métallique, essuyez avec un linge puis appliquez l'huile à faible viscosité (huile à machine ou huile lubrifiante en vaporisateur) sur les lames de cisaillement.

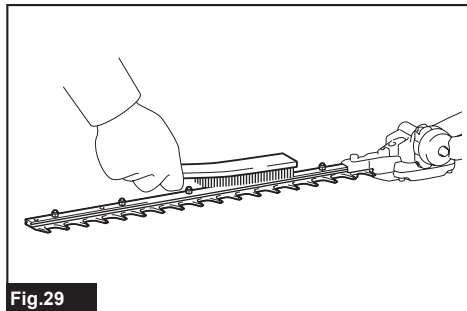


Fig.29

**AVIS : Ne lavez pas les lames de cisaillement dans l'eau.** Cela risquerait de causer de la rouille ou d'endommager l'outil.

**AVIS : Les saletés et la corrosion causent une friction excessive sur la lame et réduisent la durée de fonctionnement par charge de batterie.**

## Rangement

Fixez le couvre-lames aux lames de cisaillement de sorte que les lames ne soient pas dénudées. Rangez l'outil hors de la portée des enfants. Rangez l'outil dans un emplacement non exposé à l'humidité ou à la pluie. Lorsque vous rangez la tête séparément de l'unité d'alimentation, mettez le capuchon sur l'extrémité du tube.

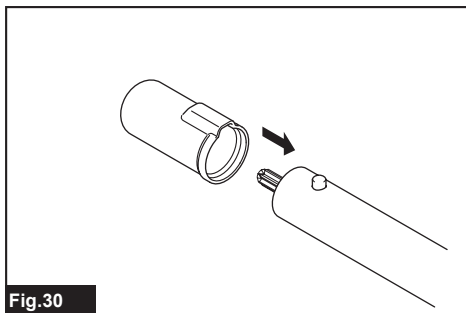


Fig.30

## Lubrification des pièces mobiles

**AVIS : Suivez les instructions relatives à la fréquence et à la quantité de graisse fournie.** Sinon, une lubrification insuffisante peut endommager les pièces mobiles.

## Axe d'entraînement :

Appliquez de la graisse (graisse Makita N No.2 ou équivalente) toutes les 30 heures d'utilisation.

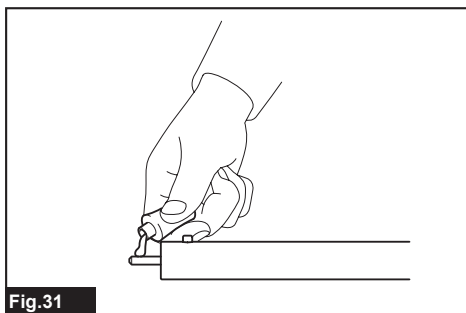


Fig.31

**NOTE : Vous pouvez vous procurer de la graisse Makita authentique chez votre détaillant Makita local.**



## Lubrification à la graisse

**Intervalle de lubrification :** Toutes les 25 heures d'utilisation

1. Retirez le boulon du trou pour la lubrification.

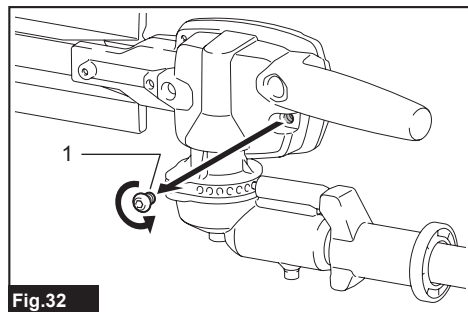


Fig.32

- 1. Boulon

2. Retirez le bouchon du récipient de graissage. Alignez la prise de sortie du récipient de graissage sur le trou du couvercle, puis tournez le récipient de graissage pour fixer la prise de sortie du récipient de graissage contre le trou.

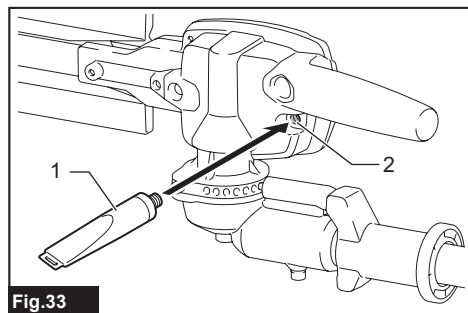


Fig.33

- 1. Récipient de graissage 2. Trou

3. Appliquez de la graisse sur l'outil (à titre de référence, environ 3 g (0,1 oz)).
4. Retirez le récipient de graissage.
5. Serrez le boulon.

## Aiguisage des lames de cisaillement

**AVIS :** Si les lames de cisaillement sont considérablement déformées par l'aiguisage, remplacez-les par des neuves.

1. Installez la batterie sur l'outil.
2. Allumez et démarrez l'outil de sorte que la lame supérieure et la lame inférieure soient disposées en alternance.

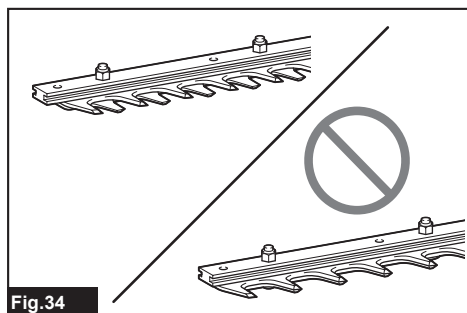


Fig.34

3. Éteignez l'outil et retirez la batterie.
4. En plaçant une lime sur un angle de 45°, aiguisiez la lame supérieure dans 3 directions à l'aide de la lime.

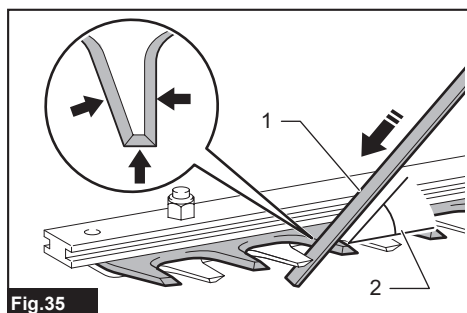


Fig.35

- (1) Lime (2) 45°

**ATTENTION :** Avant d'aiguiser les lames de cisaillement, assurez-vous que l'outil est éteint et la batterie retirée.

5. Mettez l'outil à l'envers, puis retirez les bavures sur les lames de cisaillement à l'aide de la pierre à aiguiser.

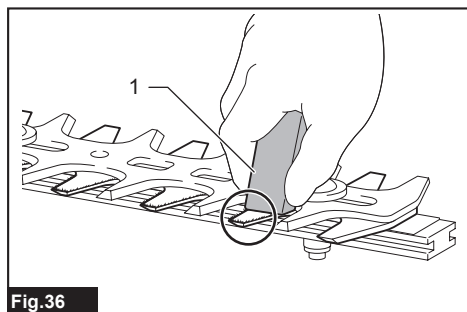


Fig.36

- 1. Pierre à aiguiser

6. En plaçant une lime sur un angle de 45°, aiguiser la lame inférieure dans 3 directions à l'aide de la lime.

7. Remettez l'outil à l'endroit, puis retirez les bavures sur les lames de cisaillement à l'aide de la pierre à aiguiser.

## DÉPANNAGE

Avant de faire une demande de réparation, faites d'abord votre propre inspection. Si vous rencontrez un problème non indiqué dans ce manuel, n'essayez pas de démonter l'outil. Demandez plutôt à un centre de service après-vente Makita agréé de faire la réparation avec des pièces de rechange Makita.

| État anormal   | Cause probable (dysfonctionnement)                                | Solution  |
|--|---|---|
| Le moteur ne démarre pas.  | -   | Reportez-vous au manuel d'instructions de l'unité d'alimentation.   |
| Le moteur s'arrête peu après avoir démarré.  | -   | Reportez-vous au manuel d'instructions de l'unité d'alimentation.   |
| Le moteur n'accélère pas.  | -   | Reportez-vous au manuel d'instructions de l'unité d'alimentation.   |
| Les lames de cisaillement ne bougent pas :<br>⇒ arrêtez immédiatement la machine !                     | Des corps étrangers sont coincés entre les lames de cisaillement. | Éteignez l'outil, retirez la batterie, puis retirez les corps étrangers à l'aide d'un outil tel qu'une pince. |
|  | Le dispositif d'entraînement ne fonctionne pas bien.              | Demandez à votre centre local de service après-vente agréé d'effectuer la réparation.                         |
| Vibration anormale :<br>⇒ arrêtez immédiatement la machine !   | Les lames de cisaillement sont cassées, pliées ou usées.          | Remplacez les lames de cisaillement.  |
|  | Le dispositif d'entraînement ne fonctionne pas bien.              | Demandez à votre centre local de service après-vente agréé d'effectuer la réparation.                         |
| Impossible d'arrêter les lames de cisaillement et le moteur :<br>⇒ Retirez immédiatement la batterie ! | Dysfonctionnement électrique.                                     | Retirez la batterie et demandez à votre centre local de service après-vente agréé d'effectuer la réparation.  |

## ACCESSOIRES EN OPTION

**⚠ ATTENTION :** Ces accessoires ou pièces complémentaires sont recommandés pour l'utilisation avec la machine Makita spécifiée dans ce manuel. L'utilisation de tout autre accessoire ou pièce complémentaire peut comporter un risque de blessure. N'utilisez les accessoires ou pièces complémentaires qu'aux fins auxquelles ils ont été conçus.

Si vous désirez obtenir plus de détails sur ces accessoires, veuillez contacter le centre de service après-vente Makita le plus près.

- Ensemble de lame de cisaillement
- Récipient de graissage
- Chargeur et batterie authentiques Makita

**NOTE :** Certains éléments de la liste peuvent être inclus dans l'emballage du produit comme accessoires standard. Ils peuvent varier d'un pays à l'autre.

## ESPECIFICACIONES

|                         |                  |
|-------------------------|------------------|
| Modelo:                 | EN402MP          |
| Longitud de la cuchilla | 500 mm (19-3/4") |
| Longitud total          | 1444 mm (57")    |
| Peso neto               | 2,4 kg (5,3 lbs) |

- Debido a nuestro programa continuo de investigación y desarrollo, las especificaciones aquí dadas están sujetas a cambios sin previo aviso.
- Las especificaciones pueden variar de país a país.

### Unidad motorizada aprobada

Este accesorio está aprobado para usarse únicamente con la(s) siguiente(s) unidad(es) motorizada(s):

- Herramienta Multifuncional Inalámbrica DUX60
- Herramienta Multifuncional Inalámbrica XUX01
- Herramienta Multifuncional Inalámbrica DUX18
- Herramienta Multifuncional Inalámbrica XUX02
- Herramienta Multifuncional Inalámbrica UX01G
- Herramienta Multifuncional Inalámbrica GUX01

**⚠ ADVERTENCIA:** Nunca utilice el accesorio con una unidad motorizada no aprobada. Una combinación no aprobada podría ocasionar lesiones graves.

### Símbolos

A continuación se muestran los símbolos que pueden ser utilizados para el equipo. Asegúrese de que entienda su significado antes de utilizar.



Lea y siga el manual de instrucciones.



PELIGRO: Mantenga las manos alejadas de la cuchilla.



Tenga cuidado con las líneas eléctricas. Riesgo de descarga eléctrica.



Utilice un casco protector y protección para los ojos y oídos.



Utilice guantes de protección.



Utilice botas resistentes con suelas antiderrapantes.



Mantenga a las personas y animales alrededor a por lo menos 15 m (50 ft) de distancia de la herramienta eléctrica.



Mantenga el área de operación libre de personas y mascotas.



Nivel de potencia sonora garantizado de acuerdo con la Directiva de ruido exterior de la UE.



Nivel de potencia sonora de acuerdo con el Reglamento de control de ruido de Nueva Gales del Sur en Australia

## ADVERTENCIAS DE SEGURIDAD

### Advertencias de seguridad para el cortasetos de extensión inalámbrico

1. **Mantenga todas las partes del cuerpo alejadas de la cuchilla. No retire el material cortado ni sostenga el material que va a cortar cuando las cuchillas estén en movimiento.** Las cuchillas continúan moviéndose después de apagar el interruptor. Un momento de distracción mientras opera el cortasetos podría ocasionar lesiones personales graves.
2. **Lleve el cortasetos por el mango con la cuchilla detenida, y con cuidado de no operar ningún interruptor de alimentación.** El transporte adecuado del cortasetos reducirá el riesgo de un arranque accidental y de lesiones personales resultantes de las cuchillas.
3. **Cuando transporte o almacene el cortasetos, siempre coloque la cubierta de las cuchillas.** La manipulación adecuada del cortasetos disminuirá el riesgo de lesiones personales ocasionadas por las cuchillas.
4. **Al retirar material atascado o reparar la unidad, asegúrese de que todos los interruptores de alimentación estén apagados, y que la batería esté retirada o desconectada.** La activación inesperada del cortasetos mientras se quita el material atascado o se le da servicio podría resultar en lesiones personales graves.

5. **Sujete el cortasetos solamente por las superficies de asimiento aisladas, ya que la cuchilla podría entrar en contacto con cableado oculto.** Las cuchillas que entren en contacto con un cable con corriente podrán hacer que la corriente circule por las partes metálicas expuestas del cortasetos, pudiendo ocasionar una descarga eléctrica al operador.
6. **Mantenga todos los cables de alimentación y cables lejos del área de corte.** Los cables de alimentación o cables pueden estar ocultos en setos o arbustos, y pueden cortarse accidentalmente con la cuchilla.
7. **No utilice el cortasetos en condiciones de mal clima, especialmente cuando exista riesgo de rayos.** Esto disminuye el riesgo de ser golpeado por un rayo.
8. **Para reducir el riesgo de choque eléctrico, nunca utilice el cortasetos de extensión cerca de ningún cable eléctrico.** El contacto con cables eléctricos o su uso cerca de ellos puede causar lesiones graves o descargas eléctricas, que pueden causar la muerte.
9. **Utilice siempre ambas manos cuando opere el cortasetos de extensión.** Sostenga el cortasetos de extensión con las dos manos para evitar la pérdida de control.
10. **Utilice siempre protección para la cabeza cuando opere el cortasetos de extensión por encima de su cabeza.** Los restos que caigan pueden ocasionar graves lesiones personales.
8. **Utilice el cortasetos sólo si se encuentra en buena condición física.** Si está cansado, su atención se verá disminuida. Sea especialmente cuidadoso al término de una jornada laboral. Realice todo el trabajo tranquila y cuidadosamente. El usuario será responsable de todos los daños a terceras personas.
9. **Antes de comenzar el trabajo, revise el cortasetos para asegurarse de que esté en buen estado y en condiciones seguras de funcionamiento. Asegúrese de que los protectores estén colocados correctamente. El cortasetos no deberá ser utilizado hasta que se encuentre totalmente ensamblado.**
10. **Evite los entornos peligrosos. No utilice la herramienta en lugares húmedos o mojados ni la esponja a la lluvia. El agua que ingrese a la herramienta incrementará el riesgo de descarga eléctrica.**

#### Equipo de protección personal

1. **Los guantes de trabajo hechos de piel gruesa forman parte del equipo básico del cortasetos y deberán usarse siempre que se trabaje con éste. Utilice también zapatos resistentes con suelas antiderrapantes.**
2. **Utilice protección para los oídos tal como orejeras para evitar la pérdida auditiva.**
3. **Use gafas protectoras, casco de seguridad y guantes protectores para protegerse de los residuos que salgan volando u objetos que caen.**
4. **Use guantes protectores cuando toque las cuchillas o ajuste el ángulo de las cuchillas. Las cuchillas podrían provocar cortaduras graves en las manos descubiertas.**

## Instrucciones adicionales de seguridad

### Preparación

1. **ESTE CORTASETOS PUEDE OCASIONAR LESIONES GRAVES. Lea atentamente las instrucciones para el correcto manejo, preparación, mantenimiento, puesta en marcha y parada de la herramienta. Familiarícese con todos los controles y con el uso adecuado de la herramienta.**
2. **Antes de operar la herramienta, revise los setos y arbustos para ver que no haya objetos extraños, tales como cercas de alambre o cableado oculto.**
3. **El cortasetos no deberá ser utilizado por niños ni por personas menores de 18 años.** Esta restricción podrá pasarse por alto para personas mayores de 16 años siempre que reciban la capacitación correspondiente bajo la supervisión de un experto.
4. **En caso de emergencia, apague la herramienta y retire el cartucho de batería inmediatamente.**
5. **PELIGRO - Mantenga las manos alejadas de la cuchilla.** El contacto con la cuchilla podría ocasionar lesiones personales graves.
6. **Un usuario con experiencia deberá enseñar a los usuarios primerizos cómo manejar la herramienta.**
7. **Antes de la operación, examine el área de trabajo para ver si hay alambros, piedras u otros objetos sólidos. Estos pueden dañar las cuchillas.**

### Operación

1. **Utilice siempre las dos manos para operar la herramienta.** El uso de una mano podría causar la pérdida de control y provocar lesiones personales graves.
2. **Mientras opera la herramienta, asegúrese siempre de que la posición de operación sea segura. Trabajar con la herramienta en un lugar donde no alcance, particularmente desde una escalera, es extremadamente peligroso. No trabaje con nada que se tambalee o esté inestable.**
3. **Cuando opere la herramienta, no use simultáneamente varios arneses de cinturón o arneses para el hombro.**
4. **Durante la operación, mantenga a las personas o animales alrededor a por lo menos 15 m (50 ft) de distancia de la herramienta. Detenga la herramienta en cuanto alguien se acerque.**
5. **Si la herramienta de corte golpea cualquier objeto o la herramienta comienza a hacer ruidos o vibraciones inusuales, apague la herramienta y retire el cartucho de batería inmediatamente, y deje que la herramienta se detenga. Luego, siga los pasos siguientes:**
  - **Inspeccione para ver que no haya algún daño;**
  - **Revise y apriete cualquier pieza suelta;**
  - **Reemplace o repare las piezas dañadas con piezas de repuesto originales.**

6. **Utilice la herramienta solo para el propósito para el que fue diseñada. No utilice la herramienta para ningún otro propósito.**
7. **Apague la herramienta y retire el cartucho de batería antes de lo siguiente:**
  - **De limpiar o cuando despeje una obstrucción,**
  - **De verificar, realizar mantenimiento o trabajar en la herramienta,**
  - **De ajustar la posición de trabajo de las cuchillas de cizalla,**
  - **Cada vez que vaya a dejar la herramienta desatendida.**
8. **Antes de poner en marcha la herramienta, asegúrese de que la herramienta esté correctamente ubicada en una posición de trabajo designada.**
9. **No opere la herramienta con cuchillas de cizalla dañadas o excesivamente gastadas.**
10. **Esté siempre al tanto de su entorno y manténgase alerta a los posibles peligros que pudiera no percatarse debido al ruido de la herramienta.**
11. **Tenga cuidado de no tocar accidentalmente una cerca de metal u otros objetos duros durante la operación.** La cuchilla se romperá y ocasionar una lesión grave.
12. **Evite un arranque accidental. No traslade la herramienta cuando el cartucho de batería esté instalado y con el dedo puesto sobre el interruptor. Asegúrese de que el interruptor se encuentre apagado cuando instale el cartucho de batería.**
13. **Evite tocar las cuchillas o bordes de corte expuestos cuando levante o sostenga la herramienta.**
14. **No fuerce la herramienta.** Esto permitirá hacer mejor el trabajo con un menor riesgo de lesiones a la velocidad para la que fue diseñada.
15. **No utilice la herramienta bajo la lluvia o en lugares mojados ni en condiciones de mucha humedad.** El motor eléctrico no es a prueba de agua.
16. **Siempre que utilice la herramienta sosténgala firmemente.**
17. **No opere la herramienta sin carga innecesariamente.**
18. **Siempre apague la herramienta y retire el cartucho de batería antes de revisar las cuchillas de cizalla, enmendar fallas o retirar objetos extraños atorados en las cuchillas de cizalla.**
19. **Nunca apunte las cuchillas de cizalla hacia usted ni hacia otras personas.**
20. **Si las cuchillas se dejan de mover a causa de objetos extraños atorados entre ellas durante la operación, apague la herramienta, extraiga el cartucho de batería y luego retire los objetos extraños usando herramientas tales como pinzas.** El retirar los objetos extraños con la mano podría ocasionar una lesión, debido a que las cuchillas pueden moverse al intentar retirarlas.
21. **Al colocar o quitar la cubierta de las cuchillas, tenga cuidado de no lastimarse las manos.**

## Seguridad eléctrica y de la batería

1. **Evite los entornos peligrosos. No utilice la herramienta en lugares húmedos o mojados ni la esponja a la lluvia.** El agua que ingrese a la herramienta incrementará el riesgo de descarga eléctrica.
2. **No arroje la(s) batería(s) al fuego.** La celda podría explotar. Consulte los códigos locales para ver si hay instrucciones especiales relacionadas con la eliminación.
3. **No abra ni mutile la(s) batería(s).** El electrolito liberado es una sustancia corrosiva y puede que cause daños a la piel y los ojos. Pueden ser tóxicos si se llegan a tragar.
4. **No cargue la batería bajo la lluvia ni en lugares mojados.**
5. **No cargue la batería en exteriores.**
6. **No manipule el cargador, incluida la la clavija del cargador, ni los terminales con las manos mojadas.**

## Mantenimiento y almacenamiento

1. **Cuando la herramienta se detenga para realizar tareas de mantenimiento, inspección o almacenamiento, apague la herramienta y retire el cartucho de batería, y asegúrese de que todas las piezas móviles se hayan detenido.** Permita que la herramienta se enfríe antes de realizar cualquier inspección, ajuste, etc.
2. **Siempre deje que la herramienta se enfríe antes de almacenarla.**
3. **Cuando no se vayan a usar, coloque la cubierta de las cuchillas a la herramienta y almacene la herramienta en interiores en un lugar seco y elevado, cerrado con llave, fuera del alcance de los niños.**
4. **Dé mantenimiento cuidadoso a la herramienta.** Mantenga el borde de corte afilado y limpio para lograr un desempeño óptimo y reducir así el riesgo de lesiones. Siga las instrucciones para la lubricación y el cambio de los accesorios. Mantenga las empuñaduras secas, limpias, y libres de aceite y grasa.
5. **Inspeccione las piezas dañadas.** Antes de continuar usando la herramienta, cualquier pieza que esté dañada deberá revisarse cuidadosamente para confirmar que puedan funcionar debidamente y realizar la función para la que fue diseñada. Verifique la alineación de las piezas móviles, la unión de las mismas, roturas de las piezas, la instalación y cualquier otra condición que pueda afectar su funcionamiento. Cualquier protector o pieza dañada deberá repararse debidamente o reemplazarse en su centro de servicio autorizado.
6. **Utilice únicamente piezas de repuesto originales.**
7. **Siempre que traslade la herramienta a otro lugar, aun durante el trabajo, retire el cartucho de batería y coloque la cubierta de las cuchillas para cubrir las cuchillas de cizalla.** Nunca cargue ni transporte la herramienta con las cuchillas funcionando. Nunca sostenga las cuchillas con sus manos.

8. Limpie la herramienta y en especial las cuchillas de cizalla después de usarlas y antes de almacenar la herramienta por períodos prolongados. Aplique una capa ligera de aceite a las cuchillas de cizalla y coloque la cubierta de las cuchillas.
9. No arroje la(s) batería(s) al fuego. La celda podría explotar. Consulte los códigos locales para ver si hay instrucciones especiales relacionadas con la disposición.
10. No abra ni dañe la(s) batería(s). Los electrolitos liberados son corrosivos y pueden ocasionar daños en los ojos o la piel. Estos pueden ser tóxicos si se llegan a tragar.
11. No cargue la batería bajo la lluvia ni en lugares mojados.

## GUARDE ESTAS INSTRUCCIONES.

**⚠ADVERTENCIA:** NO DEJE que la comodidad o familiaridad con el producto (a base de utilizarlo repetidamente) evite que siga estrictamente las normas de seguridad para dicho producto. El USO INCORRECTO o el no seguir las normas de seguridad indicadas en este manual de instrucciones puede ocasionar lesiones graves.

**⚠ADVERTENCIA:** El uso de este producto puede producir polvo que contenga sustancias químicas que podrían causar enfermedades respiratorias o de otro tipo. Algunos ejemplos de estas sustancias químicas son los compuestos encontrados en pesticidas, insecticidas, fertilizantes y herbicidas.

El riesgo al que se expone varía, dependiendo de la frecuencia con la que realice este tipo de trabajo. Para reducir la exposición a estas sustancias químicas: trabaje en un área bien ventilada y use un equipo de seguridad aprobado, tal como las máscaras contra polvo que están especialmente diseñadas para filtrar partículas microscópicas.

## DESCRIPCIÓN DE LAS PIEZAS

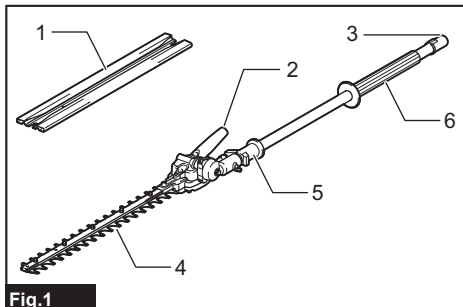


Fig.1

- 1. Cubierta de las cuchillas 2. Manija de ajuste del ángulo 3. Tapa 4. Cuchillas de cizalla 5. Palanca deslizable 6. Empuñadura delantera

## MONTAJE

**⚠ADVERTENCIA:** Antes de ensamblar o ajustar el equipo, apague el motor y retire el cartucho de batería. De lo contrario, la máquina podría ponerse en marcha sin querer y provocar lesiones.

**⚠ADVERTENCIA:** Cuando ensamble o ajuste el equipo, déjelo siempre en el suelo. El ensamble o ajuste del equipo en una posición vertical podría ocasionar lesiones graves.

**⚠ADVERTENCIA:** Siga las advertencias y precauciones contenidas en el capítulo "ADVERTENCIAS DE SEGURIDAD" y el manual de instrucciones de la unidad motorizada.

### Ensamble del accesorio

1. Retire la tapa del accesorio.

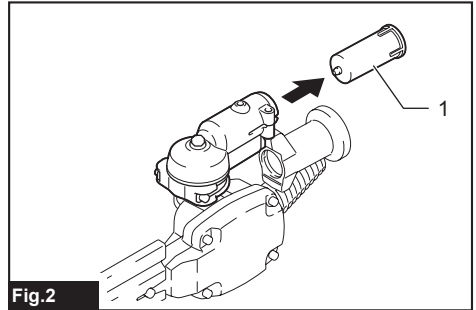


Fig.2

- 1. Tapa

2. Inserte el tubo dentro del accesorio de modo que el orificio del tubo quede alineado con el orificio del accesorio. Apriete firmemente el perno corto primero, y luego apriete el perno largo para fijar el tubo.

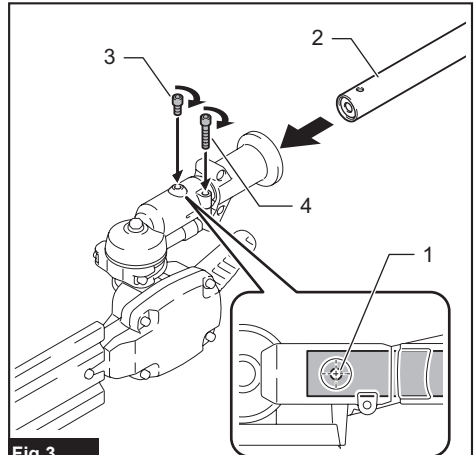


Fig.3

- 1. Orificio 2. Tubo 3. Perno (corto) 4. Perno (largo)

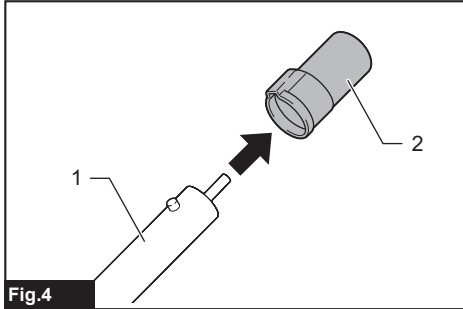
**NOTA:** Cuando apriete los pernos, aplique una torsión de 4,0 N•m - 6,0 N•m como torsión de apriete.

## Ensamble del aditamento del tubo

**PRECAUCIÓN:** Verifique siempre que el aditamento del tubo quede asegurado después de la instalación. Una instalación incorrecta podría causar que el aditamento se desprendiera de la unidad motorizada ocasionando alguna lesión personal.

Ensamble el aditamento del tubo en la unidad motorizada.

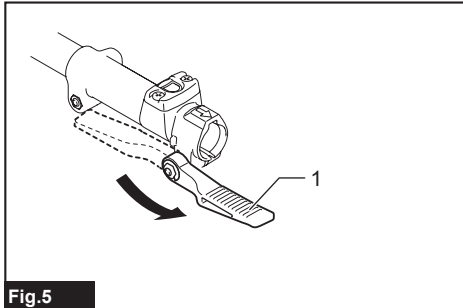
1. Retire la tapa del extremo del tubo.



- 1. Tubo 2. Tapa

**AVISO:** No deseche la tapa, ya que hace falta para guardar el aditamento.

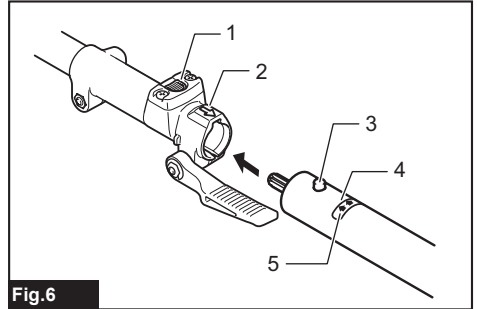
2. Gire la palanca hacia el aditamento.



- 1. Palanca

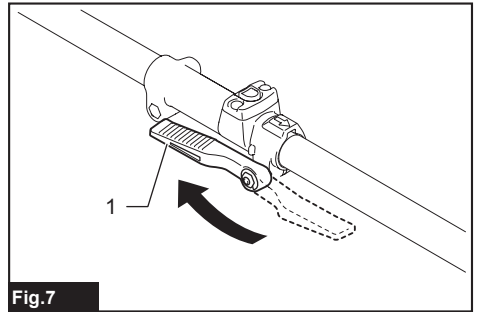
3. Alinee el pasador con la marca de flecha en la unidad motorizada. Inserte el tubo hasta que el botón de liberación aparezca.

Asegúrese de que la línea de posición esté en la punta de la marca de flecha en la unidad motorizada, y que la marca de flecha en la unidad motorizada y la marca de flecha en el tubo estén orientadas entre sí.



- 1. Botón de liberación 2. Marca de flecha en la unidad motorizada 3. Pasador 4. Línea de posición 5. Marca de flecha en el tubo

4. Gire la palanca hacia la unidad motorizada.

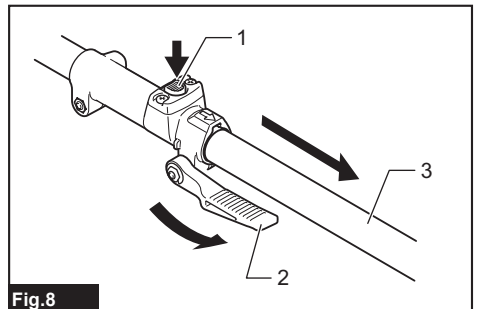


- 1. Palanca

Asegúrese de que la superficie de la palanca se encuentre paralela al tubo.

**AVISO:** No apriete la palanca sin que el aditamento del tubo esté insertado. De lo contrario, la palanca podría apretar demasiado la entrada del eje de transmisión y dañarla.

Para extraer el tubo, gire la palanca hacia el aditamento y jale el tubo hacia afuera mientras presiona hacia abajo el botón de liberación.



- 1. Botón de liberación 2. Palanca 3. Tubo

## Instalación o extracción de las cuchillas de cizalla

**⚠PRECAUCIÓN:** Siempre utilice guantes al reemplazar las cuchillas de cizalla de manera que sus manos no hagan contacto directo con las cuchillas.

**⚠PRECAUCIÓN:** Coloque la cubierta de las cuchillas antes de extraer o instalar las cuchillas de cizalla.

**AVISO:** Cuando reemplace las cuchillas de cizalla, no elimine la grasa de la manivela.

**NOTA:** Antes de instalar o quitar las cuchillas de cizalla, despliegue el accesorio de manera que el accesorio quede recto al tubo.

1. Coloque la cubierta de las cuchillas de cizalla.

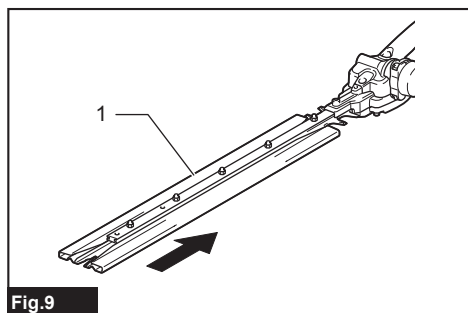


Fig.9

- 1. Cubierta de las cuchillas

2. Coloque el accesorio boca abajo.
3. Retire los 4 pernos con la llave hexagonal y retire la cubierta y la placa (grande).

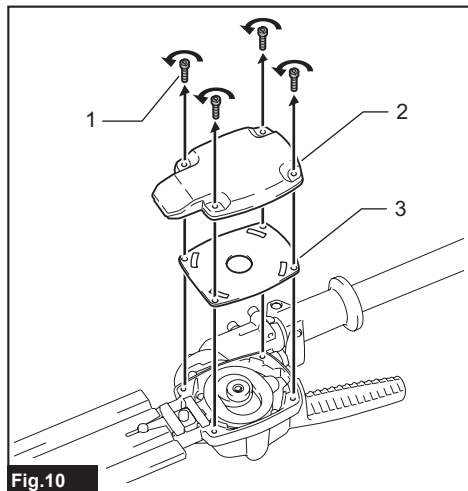


Fig.10

- 1. Perno 2. Cubierta 3. Placa (grande)

4. Gire la manivela con el destornillador plano, para que la manivela quede en la dirección que se muestra en la figura.

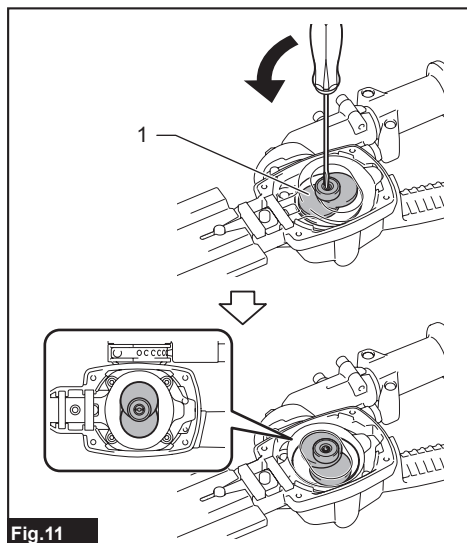


Fig.11

- 1. Manivela

5. Retire los dos pernos.

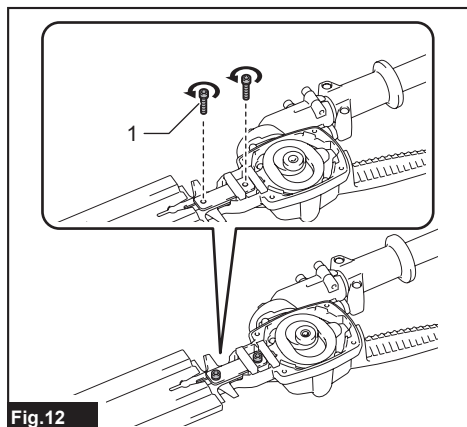


Fig.12

- 1. Perno



6. Retire la almohadilla de fieltro (corta), la almohadilla de fieltro (larga), la placa (pequeña) y los manguitos.

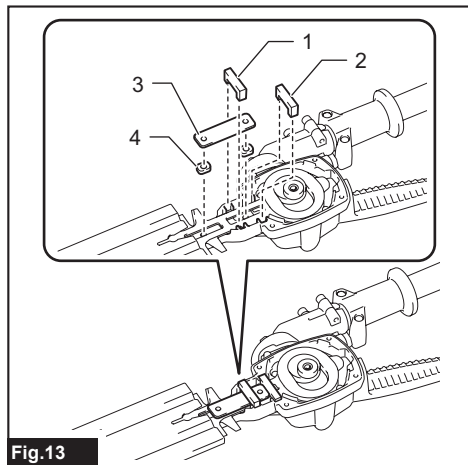


Fig.13

► 1. Almohadilla de fieltro (corta) 2. Almohadilla de fieltro (larga) 3. Placa (pequeña) 4. Manguito

7. Retire las cuchillas de cizalla del accesorio.

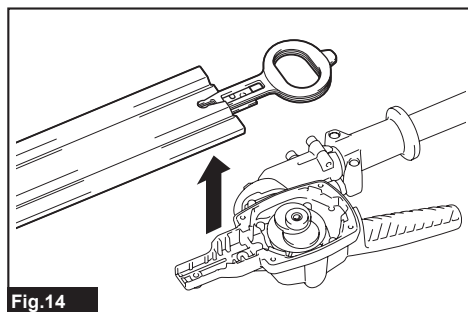


Fig.14

8. Retire la cubierta de las cuchillas y luego colóquela en las nuevas cuchillas de cizalla.

9. Retire el guardapolvo de las cuchillas de cizalla, y luego colóquelo en la posición que se muestra en la figura en las nuevas cuchillas de cizalla.

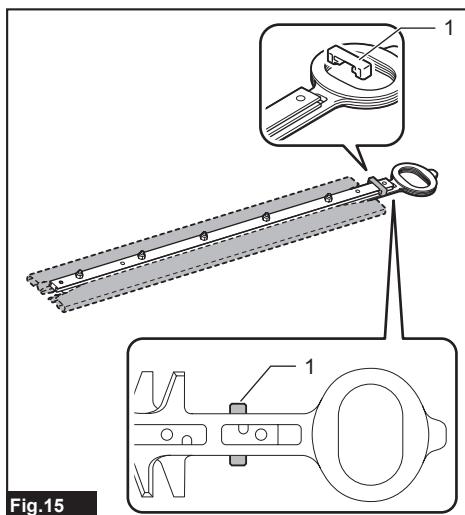


Fig.15

► 1. Guardapolvo

10. Inserte el perno retirado en el paso 5 en el orificio de las cuchillas de cizalla a través del orificio de la cubierta de las cuchillas.

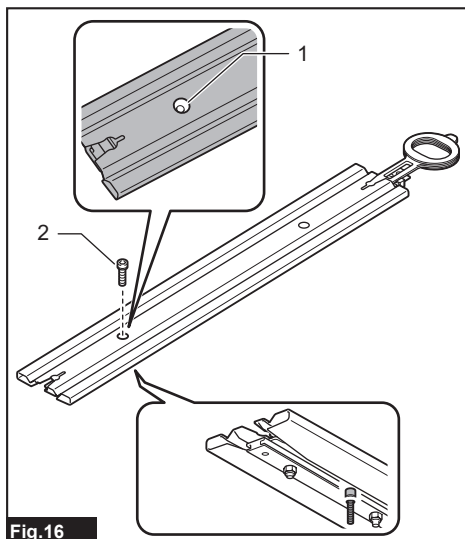
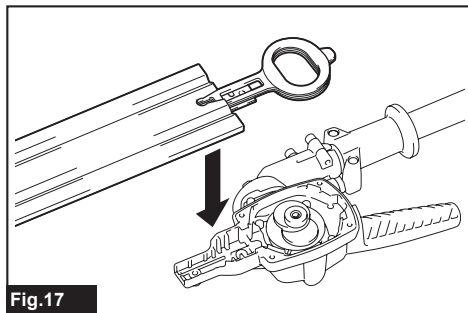


Fig.16

► 1. Orificio 2. Perno

11. Aplique una pequeña cantidad de grasa a la periferia de la manivela. Coloque las cuchillas de cizalla al accesorio.



12. Fije los manguitos, la placa (pequeña) a las cuchillas de cizalla, y luego apriete el perno.

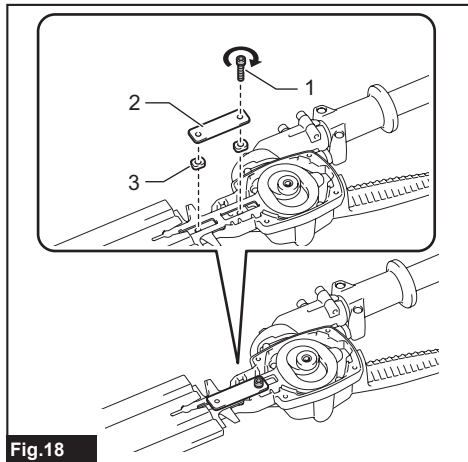


Fig.18  
► 1. Perno 2. Placa (pequeña) 3. Manguito

13. Retire el perno insertado en el orificio de las cuchillas de cizalla en el paso 10, y luego apriételo para fijar las cuchillas de cizalla.

14. Coloque la almohadilla de fieltro (corta) y la almohadilla de fieltro (larga).

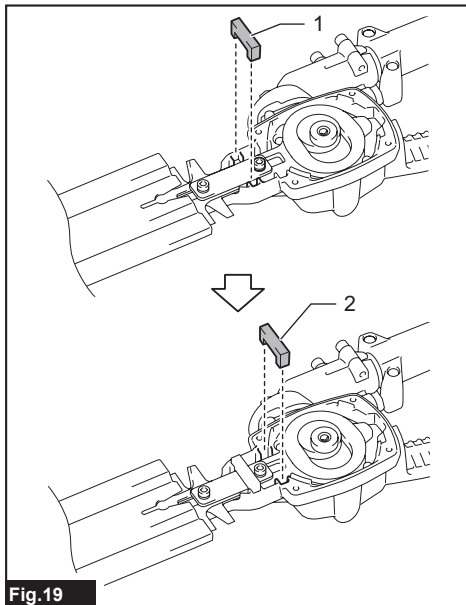


Fig.19  
► 1. Almohadilla de fieltro (corta) 2. Almohadilla de fieltro (larga)

15. Fije la placa (grande) y la cubierta, y luego apriete los 4 pernos.

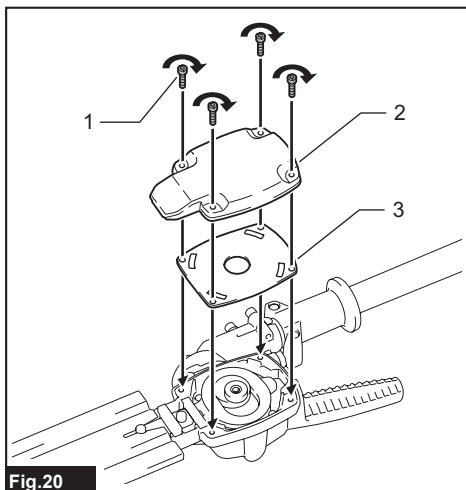


Fig.20  
► 1. Perno 2. Cubierta 3. Placa (grande)

**AVISO:** Si las cuchillas de cizalla no funcionan correctamente es porque las cuchillas no están bien embonadas en la manivela. Extraiga las cuchillas y vuelva a instalarlas.

**AVISO:** Si las piezas, además de las cuchillas de cizalla, como la manivela están desgastadas, pida a los centros de servicio autorizados de Makita las piezas de reemplazo o su reparación.

## DESCRIPCIÓN DEL FUNCIONAMIENTO

**⚠PRECAUCIÓN:** Asegúrese siempre de que la herramienta esté apagada y el cartucho de batería haya sido extraído antes de realizar cualquier ajuste o comprobación en la herramienta.

### Ajuste del ángulo de corte

**⚠PRECAUCIÓN:** Asegúrese siempre de apagar la herramienta antes de ajustar el ángulo de corte.

El ángulo de la cabeza puede ajustarse en 13 pasos. Para cambiar el ángulo de la cabeza, siga los pasos a continuación.

1. Sostenga la manija de ajuste del ángulo, y luego ajuste el ángulo de la cabeza mientras tira de la palanca deslizante, y luego suelte la palanca deslizante.

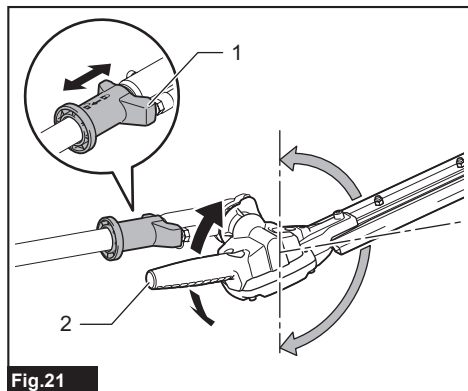


Fig.21

- 1. Palanca deslizante 2. Manija de ajuste del ángulo

2. Mueva la cabeza un poco hasta que quede bloqueada con un clic.

**NOTA:** Asegúrese de que la cabeza está bien asegurada antes de operar la herramienta.

## OPERACIÓN

**⚠ADVERTENCIA:** Siga las advertencias y precauciones contenidas en el capítulo "ADVERTENCIAS DE SEGURIDAD" y el manual de instrucciones de la unidad motorizada.

### Operación de la herramienta

**⚠ADVERTENCIA:** No utilice la herramienta cerca de ningún cable eléctrico. El contacto con cables eléctricos o el uso de la herramienta cerca de ellos puede causar lesiones graves o descargas eléctricas, que pueden causar la muerte.

**⚠ADVERTENCIA:** Mantenga las manos alejadas de las cuchillas de cizalla.

**⚠ADVERTENCIA:** Sea extremadamente cuidadoso en mantener el control de la herramienta en todo momento. No permita que la herramienta se desvíe hacia usted ni hacia otra persona alrededor. El no mantener el control de la herramienta podría ocasionar lesiones graves a las personas alrededor y al operador.

**⚠PRECAUCIÓN:** Si es posible, evite utilizar la herramienta cuando haga demasiado calor. Durante la operación de la herramienta, vigile su condición física.

**⚠PRECAUCIÓN:** Tenga cuidado de no tocar accidentalmente una cerca de metal u otros objetos duros durante el podado. Las cuchillas de cizalla podrían romperse y ocasionar una lesión.

**⚠PRECAUCIÓN:** Tenga cuidado de no permitir que las cuchillas de cizalla hagan contacto con el suelo. La herramienta podría retroceder y ocasionar una lesión.

**⚠PRECAUCIÓN:** Trabajar con el cortasetos en un lugar donde no alcance, particularmente desde una escalera, es extremadamente peligroso. No trabaje mientras esté parado sobre una superficie tambaleante o poco firme.

**AVISO:** No intente usar la herramienta para cortar ramas con un diámetro mayor a 10 mm (3/8"). Corte las ramas a 10 cm (4") menos que la altura de corte usando algún cortador de ramas antes de usar la herramienta.

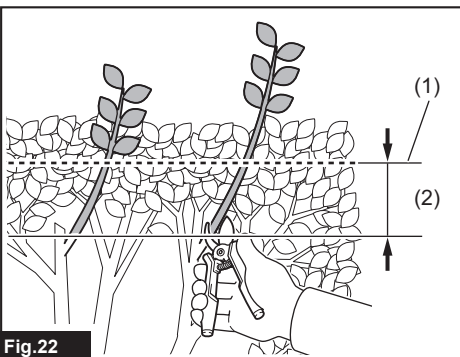


Fig.22

- (1) Altura de corte (2) 10 cm (4")

**AVISO: No corte árboles muertos ni otros objetos duros similares.** El hacerlo podría dañar la herramienta.

**AVISO: No pade hierba ni maleza mientras esté usando las cuchillas de cizalla.** Las cuchillas de cizalla podrían quedar atrapadas en la hierba o maleza.

Sujete la herramienta con ambas manos sujetando la manija delantera de la unidad motorizada o la empuñadura delantera del accesorio y la empuñadura trasera de la unidad motorizada.

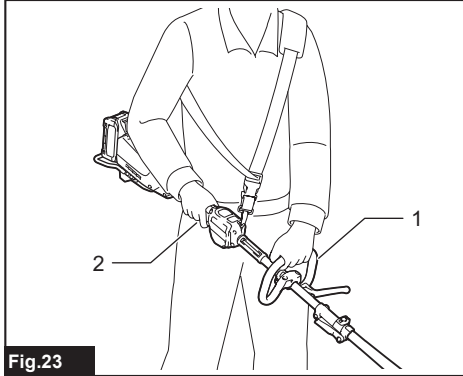


Fig. 23

► 1. Manija delantera 2. Empuñadura trasera

Jale el gatillo interruptor mientras oprime la palanca de desbloqueo, y luego desplace la herramienta hacia adelante.

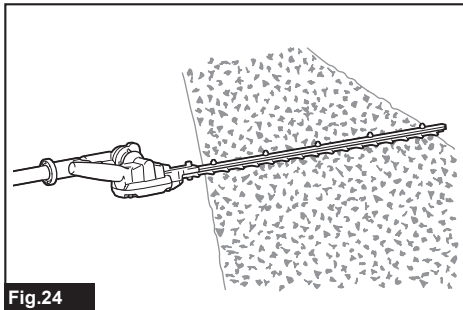


Fig. 24

Para la operación básica, incline las cuchillas de cizalla hacia la dirección del podado y desplácelas lentamente y con calma a un ritmo de velocidad de 3 a 4 segundos por metro.

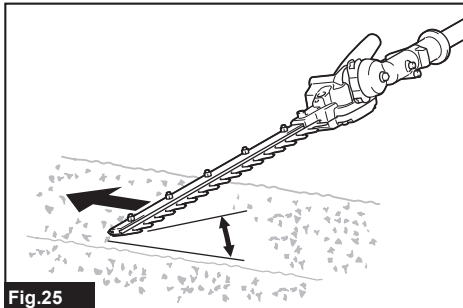


Fig. 25

Para cortar la parte lateral de un seto de manera uniforme, corte de abajo hacia arriba.

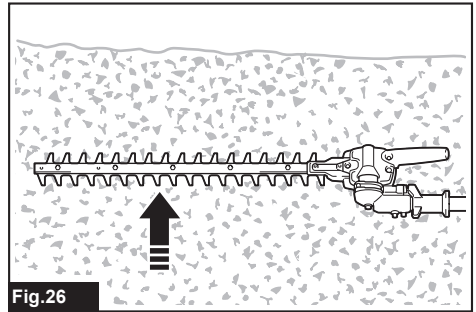


Fig. 26

Cuando desee hacer formas redondas al podar (podar setos de boj o rododendro, etc.), corte de la raíz a la parte superior para lograr un resultado excelente.

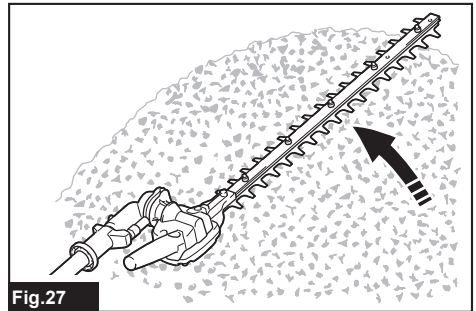


Fig. 27

## MANTENIMIENTO

**⚠ADVERTENCIA:** Antes de inspeccionar o dar mantenimiento al equipo, apague el motor y retire el cartucho de batería. De lo contrario, la máquina podría ponerse en marcha sin querer y provocar lesiones serias.

**⚠ADVERTENCIA:** Cuando inspeccione o dé mantenimiento al equipo, déjelo siempre en el suelo. El ensamble o ajuste del equipo en una posición vertical podría ocasionar lesiones graves.

**⚠ADVERTENCIA:** Siga las advertencias y precauciones contenidas en el capítulo "ADVERTENCIAS DE SEGURIDAD" y el manual de instrucciones de la unidad motorizada.

**⚠PRECAUCIÓN:** Use guantes al realizar la inspección o dar mantenimiento.

**AVISO:** Nunca use gasolina, bencina, diluyente (tiner), alcohol o sustancias similares. Puede que esto ocasione grietas o descoloramiento.

Para mantener la SEGURIDAD y FIABILIDAD del producto, las reparaciones, y cualquier otra tarea de mantenimiento o ajuste deberán ser realizadas en centros de servicio autorizados o de fábrica Makita, empleando siempre repuestos Makita.

## Limpieza de la herramienta

Quite el polvo de la herramienta con un paño seco o humedezca un paño en agua y jabón y exprímalo para limpiarla.

**AVISO:** Nunca use gasolina, bencina, diluyente (tíner), alcohol o sustancias similares. Puede que esto ocasione grietas o descoloramiento.

## Mantenimiento de las cuchillas de cizalla

Antes de la operación o una vez por hora durante la operación, aplique aceite de baja viscosidad (aceite para máquinas o aceite lubricante en aerosol) a las cuchillas de cizalla.

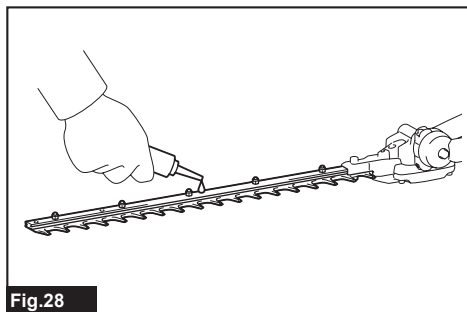


Fig.28

Después de la operación, elimine el polvo en ambos lados de las cuchillas de cizalla con un cepillo de alambre, limpie con un paño y luego aplique aceite de baja viscosidad (aceite para máquinas o aceite lubricante en aerosol) a las cuchillas de cizalla.

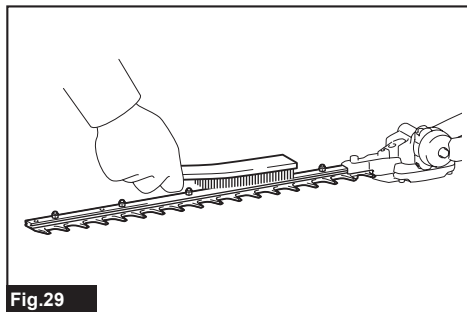


Fig.29

**AVISO:** No lave las cuchillas de cizalla con agua. Esto podría ocasionar oxidación o daños a la herramienta.

**AVISO:** La suciedad y la corrosión causan una fricción excesiva de las cuchillas y acorta el tiempo de operación en cada carga de batería.

## Almacenamiento

Coloque la cubierta de las cuchillas de cizalla de manera que las cuchillas no queden expuestas. Almacene la herramienta fuera del alcance de los niños. Almacene la herramienta en un lugar que no esté expuesto a la humedad o la lluvia. Cuando almacene el aditamento separado de la unidad motorizada, coloque la tapa en el extremo del tubo.

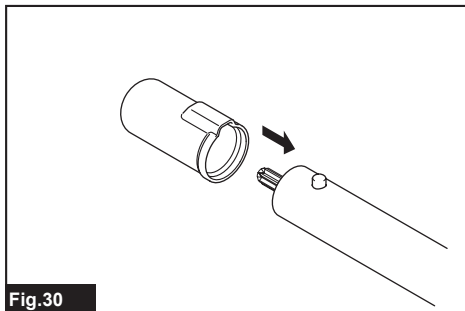


Fig.30

## Lubricación de las piezas móviles

**AVISO:** Siga la instrucción sobre la frecuencia y cantidad de grasa suministrada. De lo contrario, una lubricación insuficiente podría dañar las piezas móviles.

### Eje de transmisión:

Aplique grasa (grasa Makita N No.2 o equivalente) cada 30 horas de operación.

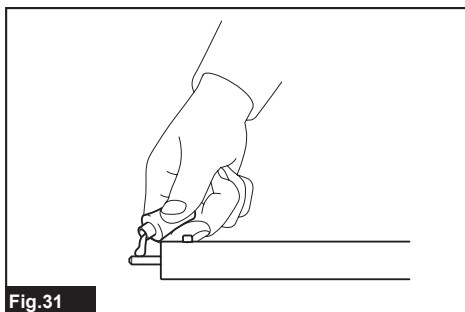


Fig.31

**NOTA:** Usted puede adquirir grasa original de Makita con el distribuidor Makita de su localidad.

## Lubricación con grasa

**Intervalo de lubricación:** Cada 25 horas de operación

1. Retire el perno del orificio para su lubricación.

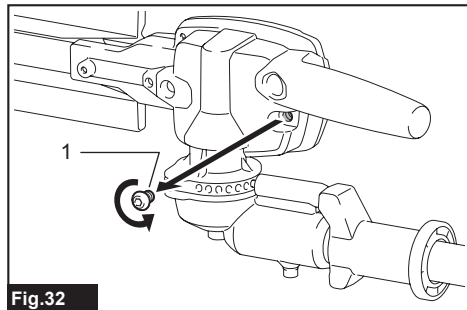


Fig.32

- 1. Perno

2. Retire la tapa del recipiente para grasa. Alinee la salida del recipiente para grasa con el orificio en la cubierta, y luego gire el recipiente para grasa para colocar la salida del recipiente para grasa dentro del orificio.

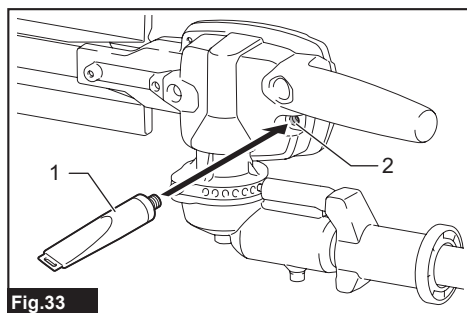


Fig.33

- 1. Recipiente para grasa 2. Orificio

3. Aplique la grasa a la herramienta (aproximadamente 3 g (0,1 oz) como referencia).
4. Retire el recipiente para grasa.
5. Apriete el perno.

## Afilado de las cuchillas de cizalla

**AVISO:** Si las cuchillas de cizalla se encuentran considerablemente desgastadas a causa del afilado, reemplácelas con unas nuevas.

1. Instale el cartucho de batería en la herramienta.
2. Encienda y ponga en marcha la herramienta de manera que las cuchillas superior e inferior estén posicionadas alternativamente.

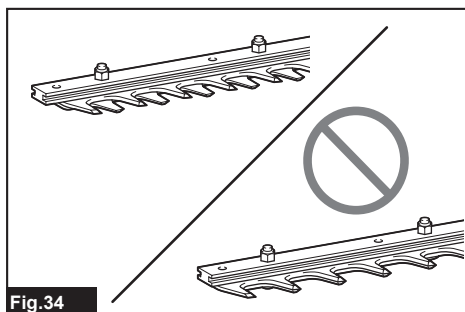


Fig.34

3. Apague la herramienta y retire el cartucho de batería.
4. Ajuste el ángulo de la lima a 45, y afile la cuchilla superior desde 3 direcciones con la lima.

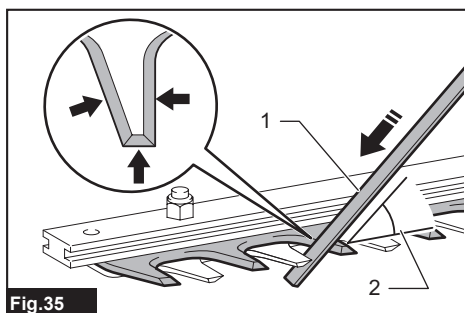


Fig.35

- (1) Lima (2) 45°

**PRECAUCIÓN:** Antes de afilar las cuchillas de cizalla, asegúrese de que la herramienta esté apagada y que el cartucho de batería haya sido extraído de la herramienta.

5. Coloque la herramienta de cabeza y luego retire las rebabas de las cuchillas de cizalla con la piedra de acabado.

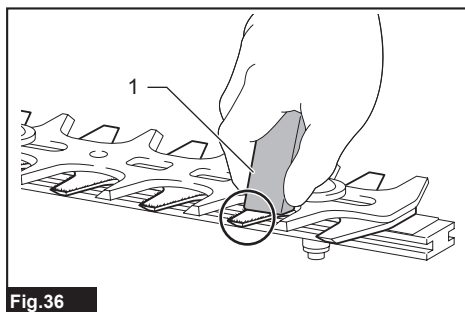


Fig.36

- 1. Piedra de acabado

6. Ajuste el ángulo de la lima a 45, y afile la cuchilla inferior desde 3 direcciones con la lima.

7. Regrese la herramienta a la posición normal y luego retire las rebabas de las cuchillas de cizalla con la piedra de acabado.

## RESOLUCIÓN DE PROBLEMAS

Antes de solicitar alguna reparación, primero realice una inspección por su cuenta. Si detecta algún problema que no esté explicado en el manual, no intente desensamblar la herramienta. En vez de esto, solicite la reparación a un centro de servicio autorizado de Makita, usando siempre piezas de repuesto Makita.

| Estado de la anomalía   | Causa probable (avería)  | Remedio   |
|---|--|---|
| El motor no arranca.  | -  | Consulte el manual de instrucciones de la unidad motorizada.  |
| El motor se detiene enseguida.  | -  | Consulte el manual de instrucciones de la unidad motorizada.  |
| La velocidad del motor no se incrementa.  | -  | Consulte el manual de instrucciones de la unidad motorizada.  |
| Las cuchillas de cizalla no se mueven:<br>⇒ ¡Detenga la máquina inmediatamente!                     | Quedan atrapados objetos extraños en las cuchillas de cizalla. | Apague la herramienta y extraiga el cartucho de batería y luego retire los objetos extraños con herramientas tales como pinzas. |
|   | El sistema de accionamiento no funciona correctamente.         | Solicite la reparación en el centro de servicio autorizado de su localidad.   |
| Vibración anormal:<br>⇒ ¡Detenga la máquina inmediatamente!   | Las cuchillas de cizalla están rotas, dobladas o desgastadas.  | Reemplace las cuchillas de cizalla.   |
|   | El sistema de accionamiento no funciona correctamente.         | Solicite la reparación en el centro de servicio autorizado de su localidad.   |
| Las cuchillas de cizalla y el motor no se pueden detener:<br>⇒ ¡Extraiga la batería inmediatamente! | Avería eléctrica.  | Extraiga la batería y solicite la reparación en el centro de servicio autorizado de su localidad.                               |

## ACCESORIOS OPCIONALES

**⚠PRECAUCIÓN:** Estos accesorios o aditamentos están recomendados para utilizarse con su máquina Makita especificado en este manual. El uso de cualquier otro accesorio o aditamento puede ocasionar riesgo de lesiones personales. Use los accesorios o aditamentos sólo para los propósitos para los que fueron diseñados.

Si necesita cualquier ayuda para más detalles en relación con estos accesorios, pregunte a su centro de servicio local Makita.

- Conjunto de cuchillas de cizalla
- Recipiente para grasa
- Batería y cargador originales de Makita

**NOTA:** Algunos de los artículos en la lista puede que vengan junto con el paquete del producto como accesorios incluidos. Puede que estos accesorios varíen de país a país.

**Makita Corporation**  
3-11-8, Sumiyoshi-cho,  
Anjo, Aichi 446-8502 Japan  
[www.makita.com](http://www.makita.com)

885A28-938  
EN402MP-1  
EN, FRCA, ESMX  
20221209