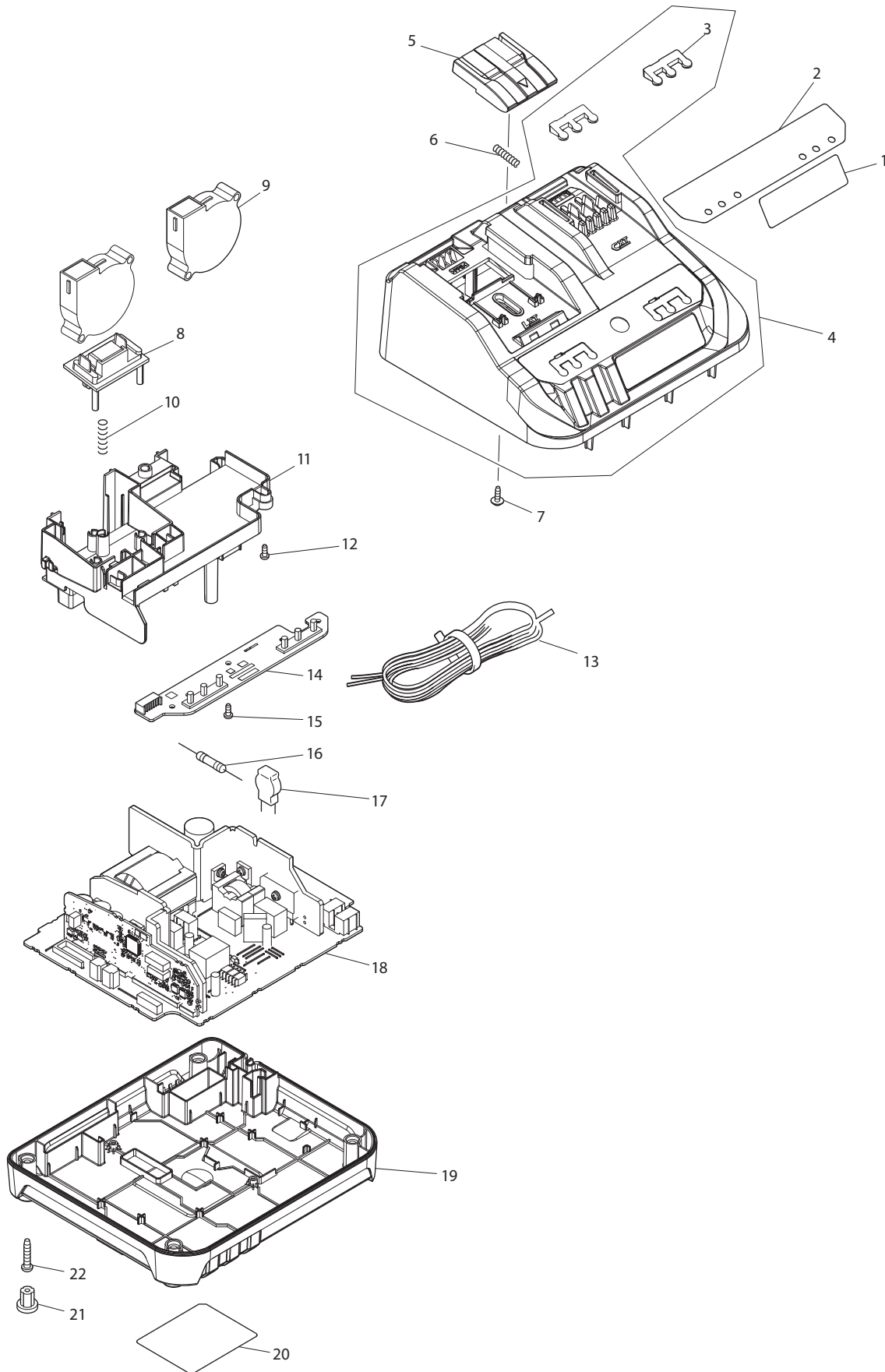




07 - 2017

DC18RE

Dual Port LXT / CXT Rapid Charger DC18RE



| Item Type | Part No | Description | Qty | Unit |
|-----------|----------|-------------------------------|-----|------|
| 001 | 812P95-5 | MAKITA LOGO LABEL | 1 | PC. |
| 002 | 812P94-7 | CHARGING CONDITION LABEL | 1 | PC. |
| 003 | 457693-8 | LENS | 2 | PC. |
| 004 | 144562-9 | CHARGER CASE COMPLETE | 1 | PC. |
| | INC. | Item No.3 | | |
| 005 | 457692-0 | TERMINAL COVER | 1 | PC. |
| 006 | 231474-6 | COMPRESSION SPRING 4 | 2 | PC. |
| 007 | 266278-7 | TAPPING SCREW FLANGE BT M3X10 | 1 | PC. |
| 008 | 632K43-6 | TERMINAL UNIT | 1 | PC. |
| 009 | 638499-5 | SCIROCCO FAN | 2 | PC. |
| 010 | 233194-8 | COMPRESSION SPRING 4 | 1 | PC. |
| 011 | 457691-2 | TERMINAL BASE | 1 | PC. |
| 012 | 266764-8 | TAPPING SCREW M3X8 | 4 | PC. |
| 013 | 667982-5 | CORD WITH PLUG 2P-18-2.0M | 1 | PC. |
| 014 | 620692-5 | LED CIRCUIT | 1 | PC. |
| 015 | 266764-8 | TAPPING SCREW 3X8 | 3 | PC. |
| 016 | 652802-6 | FUSE | 1 | PC. |
| 017 | 647306-1 | VARISTOR | 1 | PC. |
| 018 | 620681-0 | CHARGING CIRCUIT | 1 | PC. |
| | INC. | Item No.16,17 | | |
| 019 | 457690-4 | CHARGER CASE COVER | 1 | PC. |
| 020 | ----- | NAME PLATE F/DC18RE | 1 | PC. |
| 021 | 286255-3 | CAP 13 | 4 | PC. |
| 022 | 266426-8 | TAPPING SCREW M4X20 | 4 | PC. |
| E01 | 812P96-3 | CAUTION LABEL | 1 | PC. |