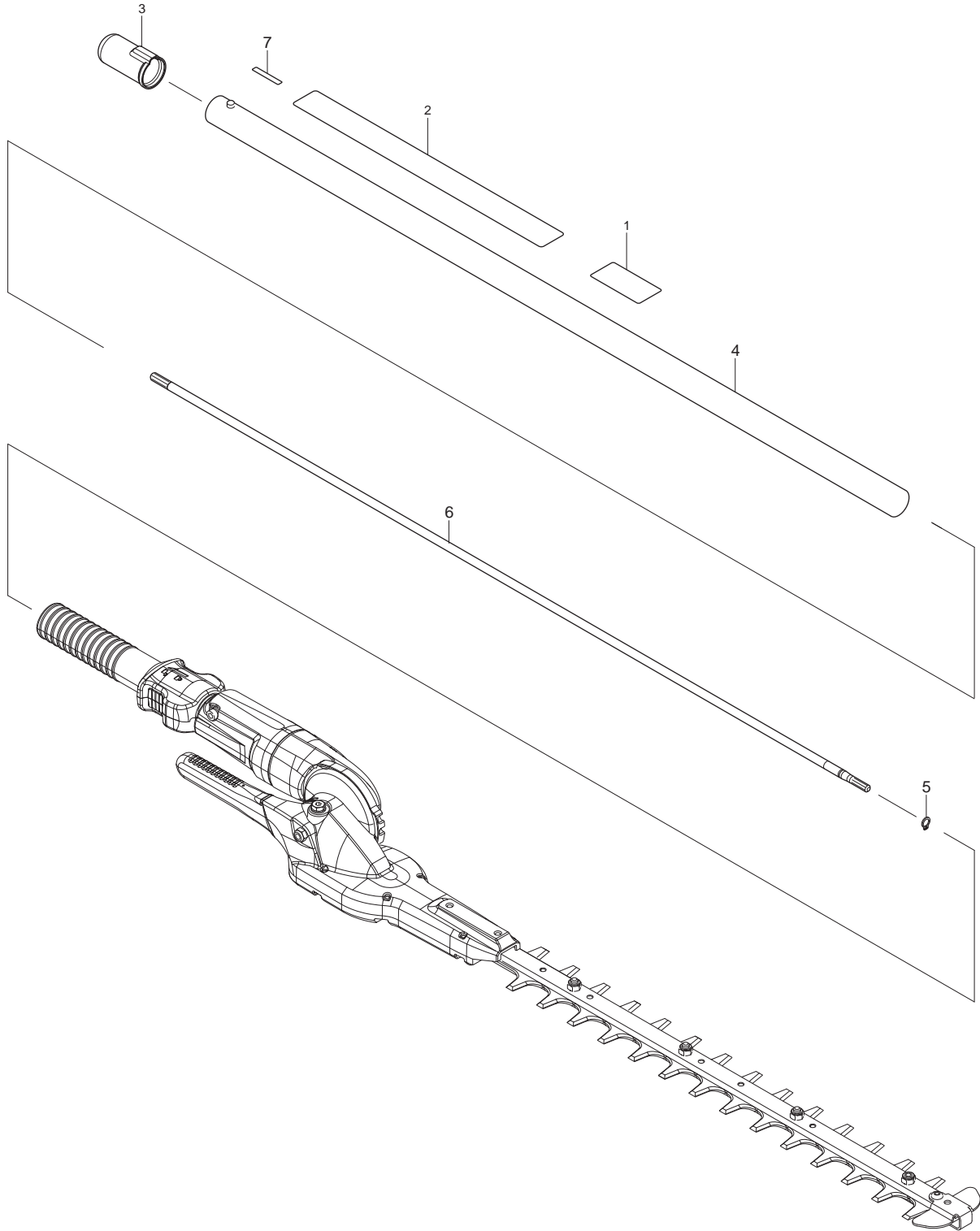
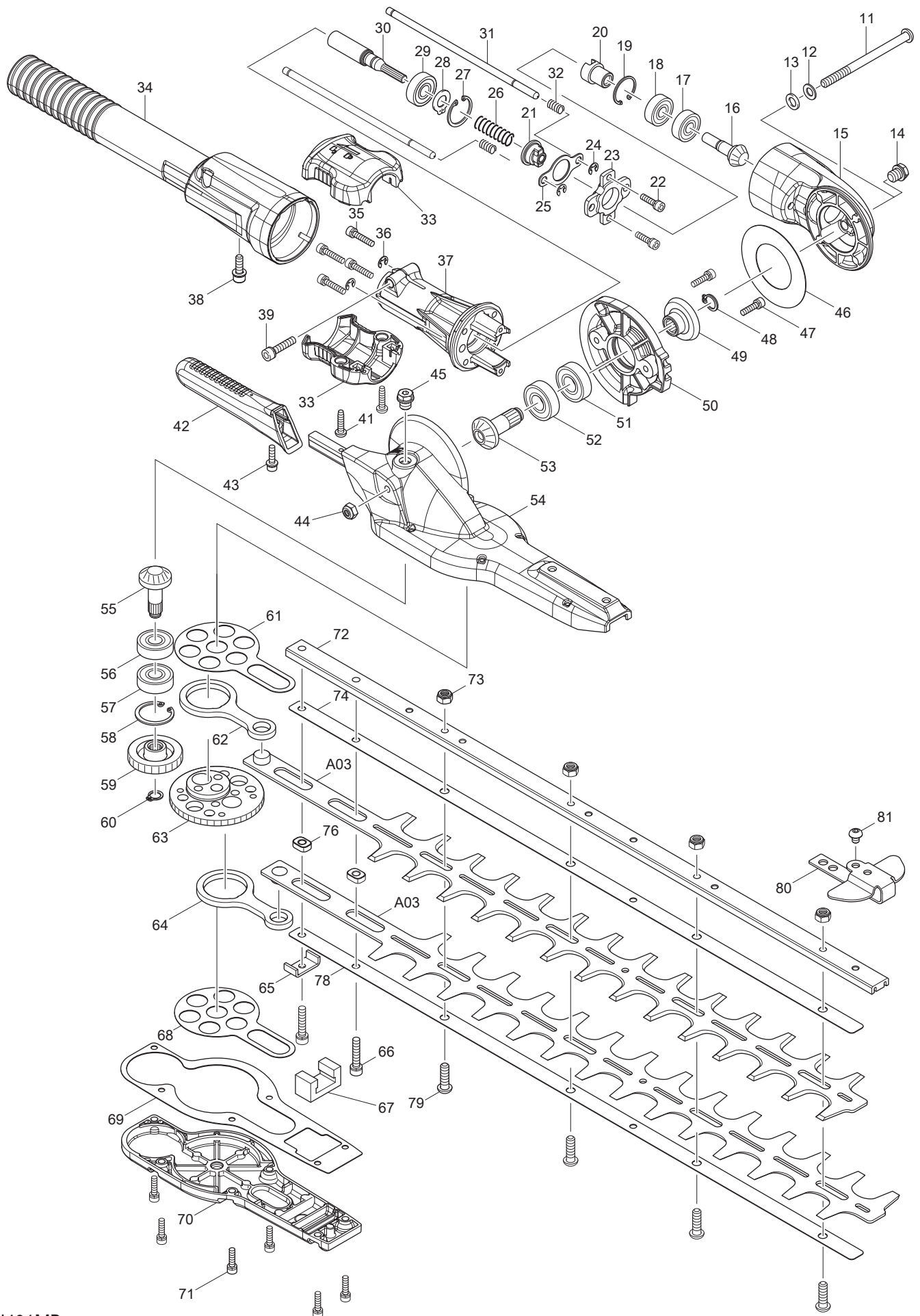




01 - 2015  
EN401MP  
HEDGE TRIMMER ATTACHMENT





Item No.	Type	Sub	Part No.	Description	Qty	Unit
001	2		808W63-6	MAKITA LOGO LABEL	1	PC.
002	2		810V53-1	CAUTION LABEL	1	PC.
003			424434-7	CAP 24	1	PC.
004			142033-0	PIPE COMPLETE	1	PC.
		INC.		Item No. 2		
005			961003-8	RETAINING RING S-7	1	PC.
006			326088-5	SHAFT A	1	PC.
007			814A82-0	DATE CODE LABEL	1	PC.
011			266817-3	H.S. BUTTON HEAD BOLT M6X85	1	PC.
012			232279-7	CONED DISC SPRING 6	1	PC.
013			941151-9	FLAT WASHER 6	1	PC.
014			266818-1	HEX. SOCKET HEX. BOLT M8X8	1	PC.
015	2		140B55-6	JOINT COM.	1	PC.
016			227604-5	SPIRAL BEVEL GEAR 9	1	PC.
017			211032-4	BALL BEARING 608ZZ	1	PC.
018			211032-4	BALL BEARING 608ZZ	1	PC.
019			962102-9	RETAINING RING R-22	1	PC.
020			310534-8	CAM A	1	PC.
021			310535-6	CAM B	1	PC.
022			922126-7	HEX. SOCKET HEAD BOLT M4X16	2	PC.
023			313254-3	HOLDER PLATE	1	PC.
024			961011-9	STOP RING E-4	2	PC.
025			346657-6	SLIDE PLATE	1	PC.
026			231297-2	COMPRESSION SPRING 9	1	PC.
027			962103-7	RETAINING RING R-24	1	PC.
028			961005-4	RETAINING RING S-9	1	PC.
029			210049-4	BALL BEARING 609ZZ	1	PC.
030			142000-5	SPINDLE COMPLETE	1	PC.
031	2		326812-6	ROD 5	2	PC.
032			233117-6	COMPRESSION SPRING 6	2	PC.
033			187575-7	SLIDE LEVER SET	1	SET
034	2		143232-7	COVER COMPLETE	1	PC.
		INC.	806J66-6	CAUTION LABEL	1	PC.
035			265493-0	HEX. SOCKET HEAD BOLT M4X20	4	PC.
036			961011-9	STOP RING E-4	2	PC.
037			318970-2	PIPE HOLDER	1	PC.
038			922223-9	H.S.H.BOLT M5X16 WITH WR	1	PC.
039			922241-7	HEX. SOCKET HEAD BOLT M5X25	1	PC.
041			265995-6	TAPPING SCREW 4X18	2	PC.
042	1		454248-0	* GRIP	1	PC.
	2		456369-4	* GRIP	1	PC.
043	2		911516-9	* PAN HEAD SCREW M4X12	2	PC.
044			252190-7	HEX.LOCK NUT M6-10	1	PC.
045			266818-1	HEX. SOCKET HEX. BOLT M8X8	1	PC.
046			267467-7	FLAT WASHER 36	1	PC.
047			922126-7	HEX. SOCKET HEAD BOLT M4X16	2	PC.
048			961006-2	RETAINING RING S-10	1	PC.
049			227605-3	SPIRAL BEVEL GEAR 22	1	PC.
050			310533-0	ANGULAR PLATE	1	PC.
051			211148-5	BALL BEARING 6001ZZ	1	PC.
052			211148-5	BALL BEARING 6001ZZ	1	PC.
053			227606-1	SPIRAL BEVEL GEAR 11	1	PC.
054	1		142018-6	* GEAR HOUSING COMPLETE	1	PC.
	2		143500-8	* GEAR HOUSING COMPLETE	1	PC.
055			227607-9	SPIRAL BEVEL GEAR 12	1	PC.
056			211062-5	BALL BEARING 6000ZZ	1	PC.
057			211062-5	BALL BEARING 6000ZZ	1	PC.

Item No.	Type	Sub	Part No.	Description	Qty	Unit
058			962105-3	RETAINING RING R-26	1	PC.
059			227317-8	SPUR GEAR 24	1	PC.
060			961004-6	RETAINING RING S-8	1	PC.
061			346658-4	PLATE	1	PC.
062			346251-4	CONNECTING ROD	1	PC.
063			227248-1	SPUR GEAR 43	1	PC.
064			346251-4	CONNECTING ROD	1	PC.
065			346256-4	HOLDER	1	PC.
066			922241-7	HEX. SOCKET HEAD BOLT M5X25	2	PC.
067			443159-4	SEAL	1	PC.
068			346658-4	PLATE	1	PC.
069			423458-0	GASKET	1	PC.
070			318968-9	UNDER COVER	1	PC.
071			922126-7	HEX. SOCKET HEAD BOLT M4X16	6	PC.
072			332058-4	GUIDE BAR	1	PC.
073			264089-4	HEX LOCK NUT M6-10	4	PC.
074			346665-7	PLATE	1	PC.
076			313211-1	SLEEVE 5	2	PC.
078			346665-7	PLATE	1	PC.
079			266824-6	H.S. BUTTON HEAD BOLT M6X20	4	PC.
C01			874560-6	CARTON F/EN401MP	1	PC.
E01			808723-2	CAUTION LABEL	1	PC.
<b><u>ACCESSORIES</u></b>						
A01			452328-6	BLADE COVER	1	PC.
A02			782223-9	SOCKET WRENCH	1	PC.
A03			725187-4	SHEAR BLADE	2	PC.
A04			197768-8	SHEAR BLADE ASSEMBLY SET ME	1	PC.
		INC.		Item No. 72-74, 76, 79, A03		
		INC.	346629-1	END COVER	1	PC.
		INC.	266075-1	HEX. SOCKET HEAD BOLT M5X6	1	PC.

**SERVICE CHANGES**

**1. Changes on Gear housing complete, Grip, M4x16 Hex socket head bolt**

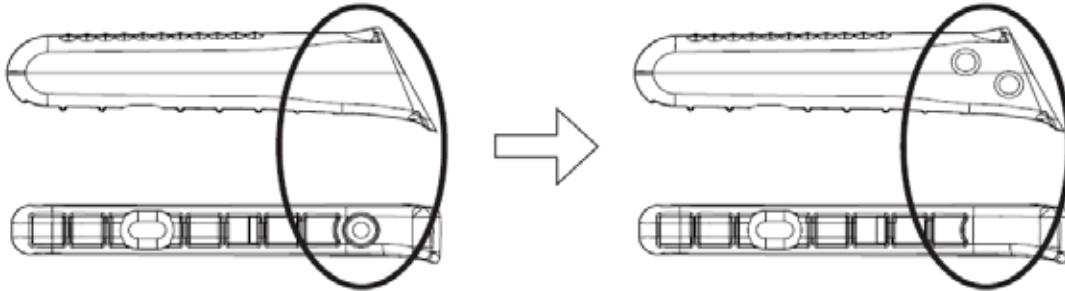
(TI#A9070)

Item No.	Description	Type 1	Type 2
42	GRIP	454248-0	456369-4
43	HEX. SOCKET HEAD BOLT M4X16 >>> PAN HEAD SCREW M4X12	922128-3	911516-9
54	GEAR HOUSING COMPLETE	142018-6	143500-8

Above parts are completely interchangeable as a set.

No. 42 Type 1

Type 1



No.54 Type 1

Type 1