



Plate Joiner PJ7000

Satisfy Professional's Needs

PRECISION GROOVING

Slim motor housing with an extra-ergonomic barrel grip



Glue and a biscuit inside each slot creates a strong seam.



Compact and lightweight design for high maneuverability and easy handling

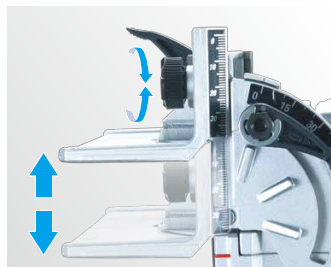


Connectable to vacuum cleaner

Dust nozzle can be rotated towards a desired direction of dust ejection.



Angle guide



Angle guide can be raised and lowered with rack and pinion mechanism, allowing fine vertical adjustment.

Angle adjustable fence



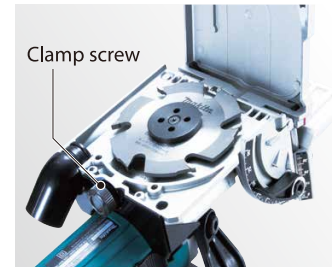
Angle adjustable fence can be locked in any position between 0° and 90° with positive stops at 0°, 45° and 90°.

Depth adjusting knob



Cutting depth can be preset in 6 stages by simply rotating the depth adjusting knob (stopper).

Easy blade replacement



Blade cover can be opened just by loosening clamp screw.

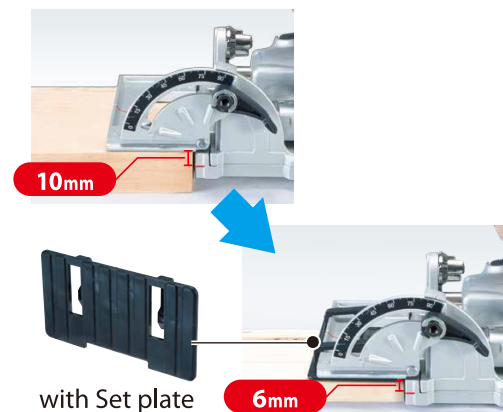


Plate Joiner	PJ7000	459
	Blade Diameter	4" (100 mm)
	Maximum Cutting Depth	3/4" (20 mm)
	No Load Speed	11,000 RPM
	AMPS (120V)	5.6 A
	Overall Length	11-7/8" (302 mm)
	Net Weight	5.6 lbs. (2.5 kg)
Standard Equipment:		
4" CT Cutter Blade 6T (A-95118), Angle Guide (123148-2), Dust Bag (123150-5), Lock Nut Wrench 20 (782401-1), Set Plate (415579-2), Plastic Carrying Case (821509-7)		

- Double Insulation
- Dust Collecting
- Carrying Case

When QUALITY & SERVICE COUNTS – Choose Makita

makita.ca